

## Types

## Typen

## Types

V <sub>RSM</sub>	V <sub>RRM</sub> V <sub>DRM</sub>	t <sub>q</sub> (T <sub>vj</sub> = 125°C)	I <sub>TRMS</sub> (maximum values for continuous operation)	
			115 A	150 A
V	V	μs	I <sub>TAV</sub> (sin. 180; T <sub>case</sub> = ... °C; 50 Hz)	
			45 A (92°C)	70 A (85°C)
700	600	15 20	<b>SKT 45 F 06 DS</b>	<b>SKT 70 F 06 DT</b>
900	800	15 20 20	<b>SKT 45 F 08 DS</b> <b>SKT 45 F 08 DT</b>	<b>SKT 70 F 08 DT</b> <b>SKT 70 F 08 DT UNF*</b>
1100	1000	15 20 20 25	<b>SKT 45 F 10 DS</b> <b>SKT 45 F 10 DT</b>	<b>SKT 70 F 10 DT</b> <b>SKT 70 F 10 DT UNF*</b> <b>SKT 70 F 10 DU</b>
1300	1200	20 20 25 30	<b>SKT 45 F 12 DT</b> <b>SKT 45 F 12 DU</b>	<b>SKT 70 F 12 DT</b> <b>SKT 70 F 12 DT UNF*</b> <b>SKT 70 F 12 DV</b>

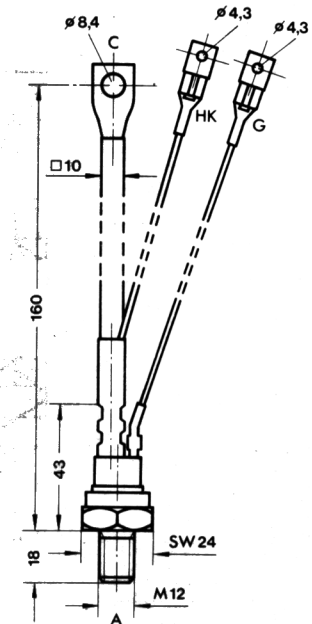
Symbol	Conditions	SKT 45 F	SKT 70 F
I <sub>TM</sub>	sin. 180; T <sub>case</sub> = 60°C; 50 Hz	230 A	300 A
		500 Hz	300 A
		5 kHz	170 A
	rec. 180; T <sub>case</sub> = 60°C; 50 Hz	150 A	200 A
		5 kHz	65 A
I <sub>TSM</sub>	T <sub>vj</sub> = 25°C	1300 A	1700 A
	T <sub>vj</sub> = 125°C	1100 A	1450 A
i <sup>2</sup> t	T <sub>vj</sub> = 25°C	8400 A <sup>2</sup> s	14500 A <sup>2</sup> s
	T <sub>vj</sub> = 125°C	6000 A <sup>2</sup> s	10500 A <sup>2</sup> s
t <sub>gd</sub>	T <sub>vj</sub> = 25°C; I <sub>G</sub> = 1 A; di <sub>G</sub> /dt = 1 A/μs	typ. 1 μs	typ. 1 μs
t <sub>gr</sub>	V <sub>D</sub> = 0,67 · V <sub>DRM</sub>	typ. 1 μs	typ. 1 μs
(di/dt) <sub>cr</sub>	non-repetitive	600 A/μs	600 A/μs
	f = 50...60 Hz	200 A/μs	200 A/μs
(dv/dt) <sub>cr</sub>	T <sub>vj</sub> = 125°C	500 V/μs	500 V/μs
I <sub>H</sub>	T <sub>vj</sub> = 25°C; typ./max.	180 mA/300 mA	180 mA/300 mA
I <sub>L</sub>	T <sub>vj</sub> = 25°C; R <sub>G</sub> = 33Ω; typ./max.	0,6 A/1 A	0,6 A/1 A
V <sub>T</sub>	I <sub>T</sub> = 300 A; T <sub>vj</sub> = 25°C	3,65 V	2,65 V
V <sub>T(RO)</sub>	T <sub>vj</sub> = 125°C	1,8 V	1,6 V
r <sub>T</sub>	T <sub>vj</sub> = 125°C	6 mΩ	3 mΩ
I <sub>D</sub> , I <sub>R</sub>	T <sub>vj</sub> = 125°C; V <sub>DRM</sub> ; V <sub>RRM</sub>	50 mA	50 mA
V <sub>GT</sub>	T <sub>vj</sub> = 25°C	5 V	5 V
I <sub>GT</sub>	T <sub>vj</sub> = 25°C	150 mA	150 mA
V <sub>GD</sub>	T <sub>vj</sub> = 125°C	2,5 V	2,5 V
I <sub>GD</sub>	T <sub>vj</sub> = 125°C	6 mA	6 mA
R <sub>thjc</sub>	cont.	0,25°C/W	0,25°C/W
R <sub>thch</sub>		0,08°C/W	0,08°C/W
T <sub>vj</sub>		-40...+125°C	-40...+125°C
T <sub>stg</sub>		-40...+125°C	-40...+125°C
M	SI units	10 Nm	10 Nm
	US units	90 lb.in.	90 lb.in.
w		80 g	80 g

\* Available in limited quantities - In begrenzter Stückzahl lieferbar - Livrable en quantités limitées

# SEMIKRON

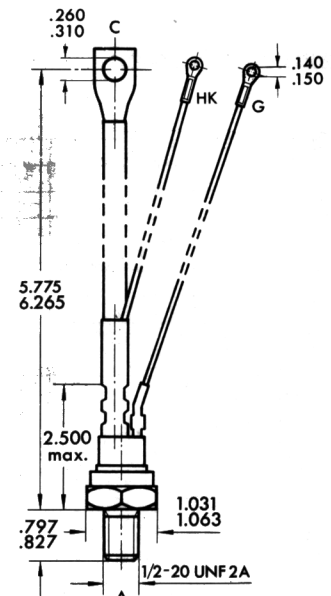
## SKT 45 F SKT 70 F

Fast thyristors  
Schnelle Thyristoren  
Thyristors rapides



### SKT 45 F, SKT 70 F

IEC: A 12 MA mod.  
204 B3 DIN 41 892 mod.



### SKT 70 F... UNF

IEC: A 12 U  
JEDEC TO-209 AC