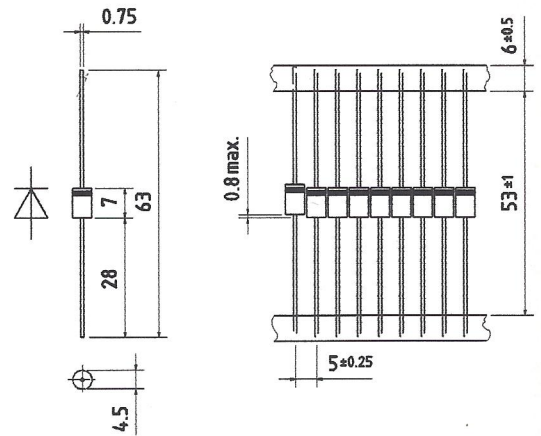


Fast Recovery Rectifier Diodes

SK 2F1 SK 4F1

V_{RSM} V_{RRM}	I_{FRMS} (maximum values for continuous operation)	
	7A	
V	I_{FAV} (sin. 180; $T_{amb} = 45^{\circ}C$)	
	1,2A	
	$t_{rr} = 0,2\mu s$	$t_{rr} = 0,4\mu s$
100	SK 2F1/01	SK 4F1/01
200	SK 2F1/02	SK 4F1/02
400	SK 2F1/04	SK 4F1/04
600	SK 2F1/06	SK 4F1/06
800	SK 2F1/08	SK 4F1/08
1000	--	SK 4F1/10



Symbol	Conditions	SK 2F1	SK 4F1	Units
I_{FAV}	sin. 180; $T_{amb} = 45^{\circ}C$; $f = 50Hz$	1,2		A
I_{FSM}	$T_{VJ} = 25^{\circ}C$	70		A
	$T_{VJ} = 130^{\circ}C$	60		A
i^2t	$T_{VJ} = 25^{\circ}C$	24,5		A^2s
	$T_{VJ} = 130^{\circ}C$	18		A^2s
Q_{rr}	$T_{VJ} = 130^{\circ}C$; $-di_F/dt = 10A/\mu s$; $I_{FM} = 1A$	typ. 0,15	typ 0,33	μC
I_R	$T_{VJ} = 25^{\circ}C$; $V_R = V_{RRM}$	20 (01, 02)	20 (01, 02)	μA
		5 (04...08)	5 (04...10)	μA
t_{rr}	$T_{VJ} = 130^{\circ}C$; $V_R = V_{RRM}$	1	1	mA
	$T_{VJ} = 25^{\circ}C$	max. 0,25 ¹⁾	max. 0,45 ¹⁾	μs
	$T_{VJ} = 130^{\circ}C$	max. 0,15 ²⁾	max. 0,20 ²⁾	μs
V_F	$T_{VJ} = 25^{\circ}C$; $I_F = 10A$	max. 1,5		V
$V_{(TO)}$	$T_{VJ} = 130^{\circ}C$	1		V
r_T	$T_{VJ} = 130^{\circ}C$	50		$m\Omega$
R_{thja}		typ. 80		$^{\circ}C/W$
T_{VJ}		- 40 ... + 130		$^{\circ}C$
T_{stg}		- 40 ... + 130		$^{\circ}C$
a		5 . 9,81		m/s^2
w	approx.	1		g
Case		DO201AA		

Features

- Small recovered charge
- Soft recovery
- Up to 1000V reverse voltage
- Axial leads; taped for automatic insertion

Typical Applications

- Switched mode power supplies
- TV sets
- Inverters
- Ultrasonic generators

1) $I_F = 50mA$; $I_R = 50mA$; $i_{rr} = 10mA$

2) $I_F = 0,5A$; $I_R = 1A$; $i_{rr} = 0,25mA$