

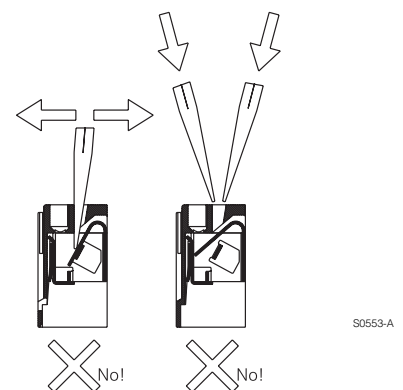
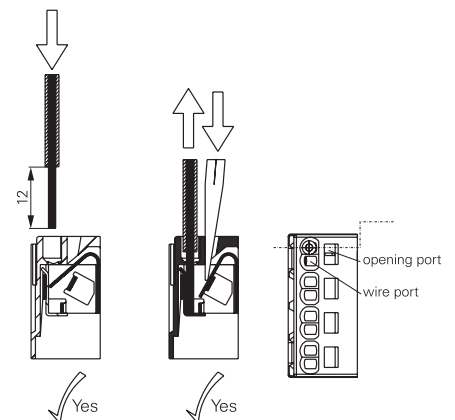
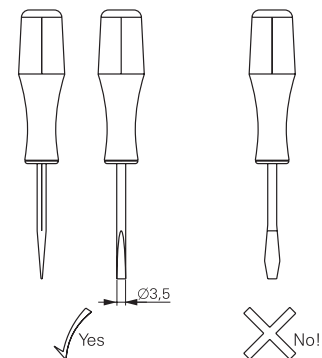
Accessories Miniature Relay PT (Continued)

Technical data (Continued)	2-pole	4-pole
RoHS - Directive 2002/95/EC		compliant
Degree of protection DIN 40050		IP20
Ambient temperature range		
for mounting/handling		-25...+70°C
in operation		-40...+70°C
Terminals		screwless
Wire strip length		12 mm
Wire cross section		
solid wire	1 x 0.75/1.5 mm ²	2 x 0.75/1 mm ²
with standard isolation (no oversize isolation)		2 x 1.5 mm ²
stranded wire		
without bootlace crimp	1 x 0.75/1.5 mm ²	2 x 0.75/1 mm ²
without bootlace crimp with standard isolation		2 x 1.5 mm ²
with bootlace crimp	1 x 0.75/1 mm ²	2 x 0.75 mm ²
with bootlace crimp without isolation		1 x 1.5 mm ²
or isolation min 18 mm long		
For stranded wires with braids 0.05 mm or smaller the use of bootlace crimps is recommended. When using stranded wires without bootlace crimp the clamp must be opened during insertion.		
Insertion cycles	A (10)	
Max. Insertion Force total	100 N	
Mounting distance	0, dense packing	
Weight	44 g	60 g
Packaging unit	10 pcs	

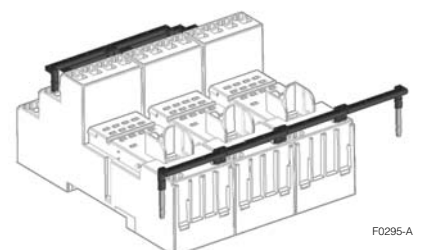
Socket with screwless terminals for DIN rail mounting		
Type		Part Number
PT 7872P	Premium socket, logical terminal arrangement Socket with screwless terminals 2 pole	1860100-1
PT 7874P	Premium socket, logical terminal arrangement Socket with screwless terminals 4 pole	1860000-1

Accessories for PT 78 72P, PT 78 74P		
Type		Part Number
PT 17 021	Plastic retaining clip, relay height 29/35 mm	2-1415526-1
PT 28 800	Metal retaining clip PT, relay height 29 mm	5-1419111-9
PT 17 040	Marking tag	6-1415037-1
PT 17 0P1	Jumper link	1860214-1

How to use, Precautions



Jumper bar



When connecting more than 2 poles with staggered jumper bars the lower bars need to be stripped and shortened to an appropriate length to enable correct fitting.