

**Accessories Power Relay RM**

- For RM 2 / 3 pole, 10 / 16 A
- RoHS compliant (Directive 2002/95/EC)



F0237-B

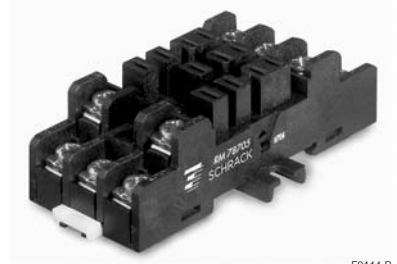
**RM Socket with screw-type terminals RM 78 705**

**Approvals**

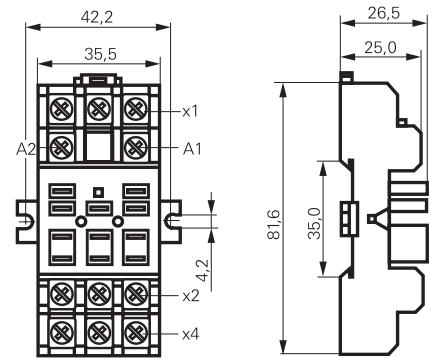
REG.-Nr. 5333 ÜG-2 (RM 78 704), REG.-Nr. 4003144 in preparation

**Technical data**

Rated voltage / max. switching voltage AC	250 VAC
Rated current	16 A
Dielectric strength coil-contact circuit	2500 V <sub>rms</sub>
open contact circuit	1500 V <sub>rms</sub>
adjacent contact circuits	2500 V <sub>rms</sub>
Clearance / creepage coil-contact circuit	≥ 4.0/14.9 mm
Material group of insulation parts	IIIa
Insulation to IEC 60664-1	
Type of insulation coil-contact circuit	basic
open contact circuit	functional
adjacent contact circuits	basic
Rated insulation voltage	250 V
Pollution degree	2
Rated voltage system	230 / 400 V
Overvoltage category	III
RoHS - Directive 2002/95/EC	
RM 78 704	compliant as per product date code 0312
RM 78 705	compliant as per product date code 0522
Ambient temperature range	-40...+40°C
Terminals	screw
Terminal screw torque acc. IEC 61984	0.8 Nm
max.	1.2 Nm
Wire cross section	
single wire	2 x 2.5 mm <sup>2</sup>
fine wire	2 x 2.5 mm <sup>2</sup>
with bootlace crimp (DIN 46228/1)	2 x 1.5 mm <sup>2</sup>
Insertion cycles	A (10)
Max. Insertion Force total	100 N
Mounting distance	≥ 0, dense packing
Weight	66 g
Packaging unit	100 pcs



F0114-B



S0318-B

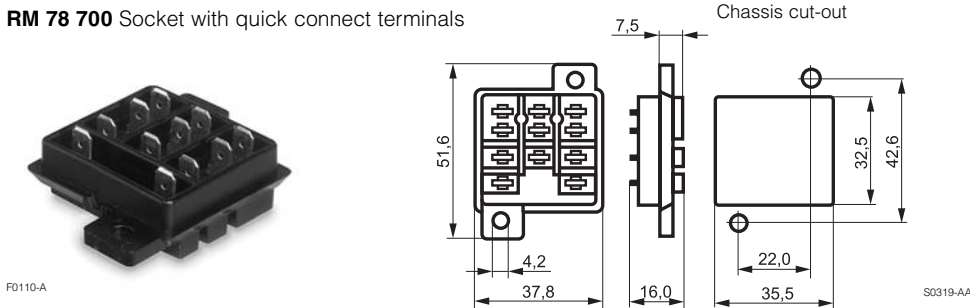
**Socket with screw-type terminals**

Type	Part Number
<b>RM 78 705</b> Socket with screw-type terminals	2-1393844-5

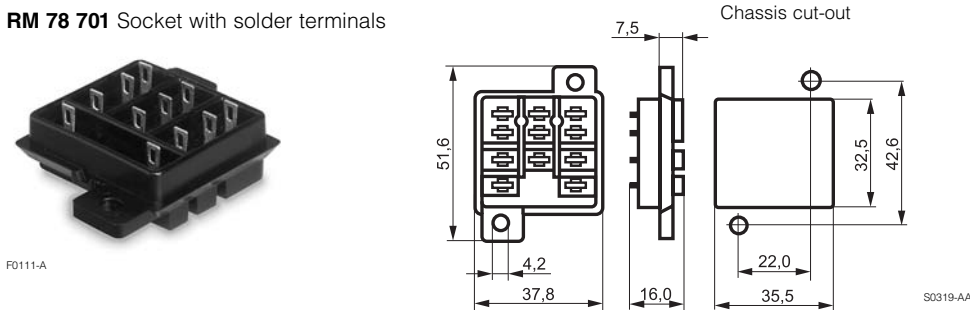
**Accessories Power Relay RM (Continued)**

**RM Sockets for PCB and with solder terminals RM 78 700/701/702**

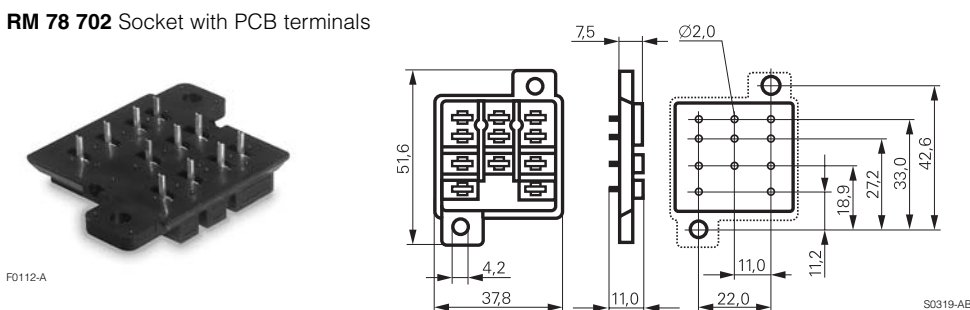
**RM 78 700** Socket with quick connect terminals



**RM 78 701** Socket with solder terminals



**RM 78 702** Socket with PCB terminals



**Approvals**



**Technical data**

**RM 78 700/701/702**

Rated current	10 A
Rated voltage / max. switching voltage AC	240 / 400 VAC
Dielectric strength coil-contact circuit	2500 V <sub>rms</sub>
open contact circuit	1500 V <sub>rms</sub>
adjacent contact circuits	2500 V <sub>rms</sub>
Clearance / creepage coil-contact circuit	≥ 4.0/6.3 mm
Material group of insulation parts	IIIa
Insulation to IEC 60664-1	
Type of insulation coil-contact circuit	basic
open contact circuit	functional
adjacent contact circuits	basic
Rated insulation voltage	250 V
Pollution degree	2
Rated voltage system	230 / 400 V
Overvoltage category	III

**Accessories Power Relay RM (Continued)**

Technical data (Continued)	RM 78 700/701/702
RoHS - Directive 2002/95/EC	compliant
Ambient temperature range	-40...+70°C
Terminals	pcb, solder terminals
Insertion cycles	A (10)
Max. Insertion Force total	100 N
Mounting distance	≥ 0, dense packing
Resistance to soldering heat	270°C / 10 s
Weight	9 g
Packaging unit	25 pcs

Sockets		
Type		Part Number
<b>RM 78 700</b>	Socket with quick connect terminals	1419118-6
<b>RM 78 701</b>	Socket with solder terminals	4-1393149-9
<b>RM 78 702</b>	Socket with PCB terminals	2-1393844-3

Accessories for RM 78 700, RM 78 701, RM 78 702		
Type		Part Number
<b>RM 28 802</b>	Metal retaining clip RM	1419118-5