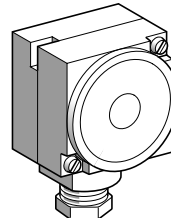
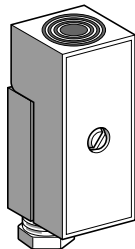


References, characteristics Inductive proximity sensors

Universal series, compact, plug-in
Plastic case : 33.5 x 33 x 90 and 41 x 50 x 76 mm
a.c. or d.c. supply

Non flush mountable in metal



	DC	AC	AC	AC	DC	AC	AC
Nominal sensing distance (Sn)	13 mm	13 mm	13 mm	13 mm	25 mm	25 mm	25 mm

References

2-wire \equiv	NO	XSB-C10710	–	–	–	XSB-C25710	–	–
2-wire \sim	NO	–	XSB-A104112	XSB-A10511	XSB-A10611	–	XSB-A25811	XSB-A25911
	NC	–	XSB-A104212	XSB-A10521	XSB-A10621	–	XSB-A25821	XSB-A25921
Weight (kg)	0.150	0.150	0.150	0.150	0.190	0.190	0.190	

Characteristics

Connection	Screw terminals, capacity : 2 x 1.5 mm ²						
Degree of protection	IP 67						
Operating zone	0...9 mm			0...20 mm			
Product certifications	Standard version : BV, USSR. Special version : CSA, UL						
Repeat accuracy	≤ 5 % of Sr						
Differential travel	3...20 % of Sr						
Operating temperature	– 25... + 70 °C						
Output state indication	–	LED			–	LED	
Rated supply voltage	\equiv 24...48 V	\sim 48 V (50/60 Hz)	\sim 110...120 V (50/60 Hz)	\sim 220...240 V (50/60 Hz)	\equiv 24...48 V	\sim 48...120 V (50/60 Hz)	\sim 110...240 V (50/60 Hz)
Voltage limits (including ripple)	\equiv 12...58 V	\sim 40...52 V	\sim 93...132 V	\sim 187...264 V	\equiv 12...58 V	\sim 40...132 V	\sim 93...264 V
Switching capacity (1)	1.5...80 mA	60...270 mA	30...150 mA	20...150 mA	1.5...80 mA	30...270 mA	20...150 mA
Voltage drop, closed state	≤ 7 V	≤ 9.5 V			≤ 7 V	≤ 9.5 V	
Residual current, open state	≤ 1.2 mA	≤ 4.5 mA			≤ 1.2 mA	≤ 2...4.5 mA	
Current consumption, no-load	–	–			–	–	
Maximum switching frequency	250 Hz	10 Hz			250 Hz	40 Hz	
Delays	first-up	≤ 1.2 ms	≤ 80 ms		≤ 1.2 ms	≤ 150 ms	
	response	≤ 0.4 ms	≤ 40 ms		≤ 0.4 ms	≤ 10 ms	
	recovery	≤ 1 ms	≤ 30 ms		≤ 1 ms	≤ 10 ms	

(1) For XSB-A (\sim) sensors, not incorporating overload or short-circuit protection, it is recommended that a 0.63 A "quick-blow" fuse be connected in series with the load. See page 31160/2.

Other versions

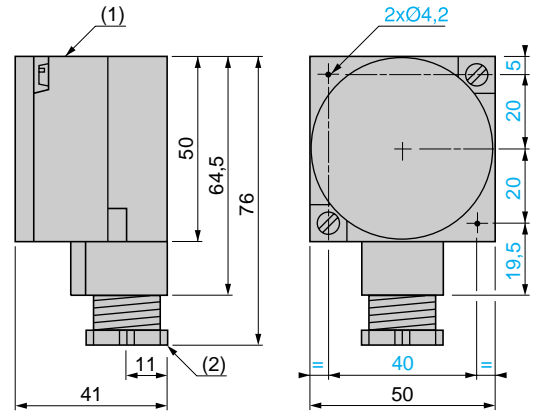
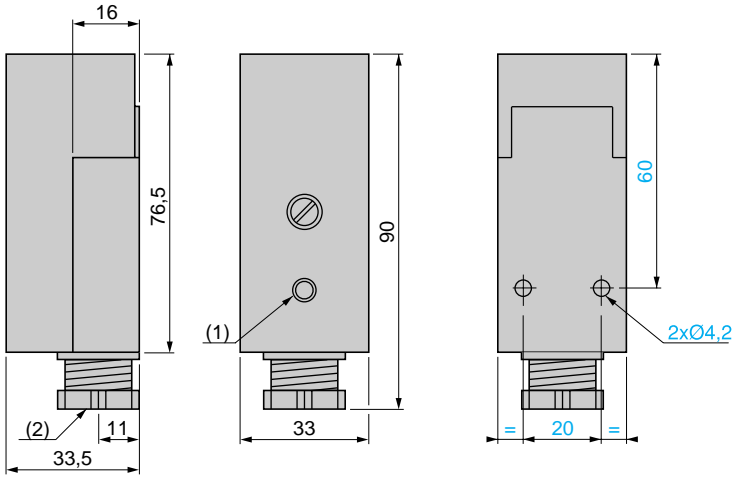
Inductive proximity sensors specifically designed for other ambient operating temperatures.
Please consult your Regional Sales Office.

Dimensions

XSB-10●●●

Rear view

XSB-25●●●



(1) LED (only applicable to XSB-A10●●● sensors)
(2) n° 11 plastic cable gland

(1) LED (only applicable to XSB-A25●●● sensors)
(2) n° 11 plastic cable gland

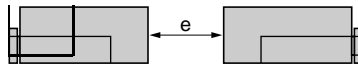
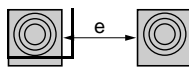
Setting-up

Minimum mounting
distances (mm)

Side by side

Face to face

Facing a metal object and mounting in a metal support.

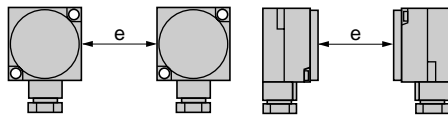


Refer to "Mechanical installation" for block type proximity sensors mounted in the vicinity of metal masses, page 31100/10.

XSB-10 non flush
mountable in metal

$e \geq 40$

$e \geq 80$



XSB-25 non flush
mountable in metal

$e \geq 100$

$e \geq 200$

Wiring schemes

2-wire ---
NO output

2-wire ~
NO output

NC output

