

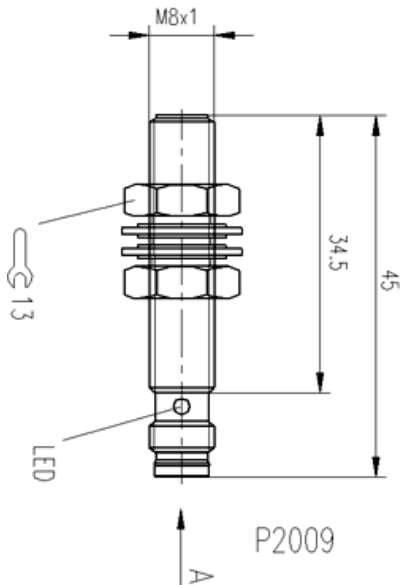
# BES 516-324-G-E5-C-S49

Inductive Sensors

PNP  
NO  
flush mountable

# BALLUFF

sensors worldwide



### Electrical data:

Connection	connector
Rated operational voltage (Ue)	24 DC V
Load current capacity (Ie)	200 mA
Time delay before availability	20 ms
Electrical type	DC
Utilization category	DC 13
Hysteresis max (H)	15 %
Load capacitance max	0,5 µF
No-load supply current damped	9 mA
Off-state current max (I <sub>r</sub> )	20 µA
Ripple max. of U <sub>e</sub>	= 15 %
Switching output	PNP
Switching element function	NO
Operating frequency (f)	1500 Hz
Voltage drop max. static	2,5 V
Supply voltage max. (U <sub>b</sub> )	30 V
Supply voltage min. (U <sub>b</sub> )	10 V

### Mechanical data:

Number of Wires	3-wire
Rated operating distance (s <sub>n</sub> )	2 mm
Diameter	M8x1 mm
Assured operating distance	0...1,6 mm
Mounting	flush mountable
Ambient temperature max	+70 °C
Ambient temperature min	-25 °C
Degree of pollution	3
Sensing face material	PA 12
Housing material	corrosion resistance Steel
Repeat accuracy max. (R)	= 5 %

### General data:

Output indication	yes
Short circuit protected	yes
Degree of protection IP	IP68 per BWN Pr 20
Insulation class	2
Protected against polarity reversal	yes
Approval	CE,c_ul_us

### wiring



### Pinout



[www.balluff.com](http://www.balluff.com)

Balluff Europe: +49 7158 173 -0  
Balluff USA: 1-800-54 3-83 90  
Balluff Asia: +86 21-50 64 41 31

Online Productinformation  
2008-02-15