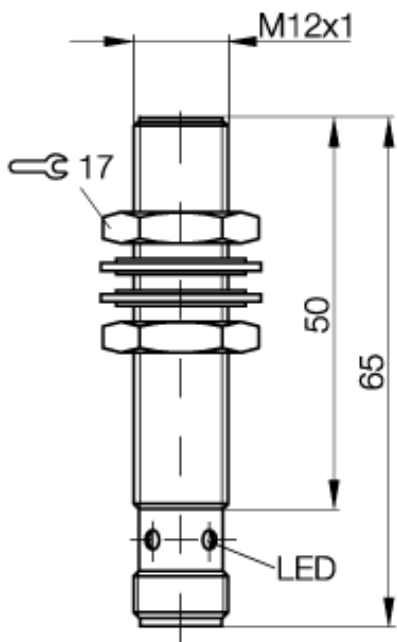


**Inductive Sensors**  
**BES M12MI-PSC20B-S04G**  
**M12x1 x 65**  
**normally-open**  
**Sn=2mm**  
**shielded**



PX1407

**Common Data**

Product name	Black Line
Mounting in steel	shielded
Rated operating distance Sn	2mm
Assured operating distance Sa	0...1.6mm
Repeatability R	<= 5%
Hysteresis	<= 15%
Function indication	yes
Ambient temperature range	-25...+70°C
Polution Degree	3
IEC-Code	I1A12AP2
Time delay before availability	<= 30ms

**Mechanical Data**

Measurements BxHxT or DxT	M12x1 x 65mm
Housing material	nickel plated brass
Material of sensing face	PA 12
Degree of protection	IP68 acc. BWN Pr 20IP
Connection	Connector S4
Schock: Halfsinus, 30 gn, 11ms	
Vibration: 55 Hz, 1mm Amplitude, 3 x 30 Minutes	

**Electrical Data**

Current type	DC
Wiring	3-Wire
switching function	normally-open
Output signal	PNP
Rated operational voltage	24 DCV
Rated operational current	200mA
Supply voltage	12...30 DCV
Ripple	<= 15%
max. switching frequency	1200Hz
No-load supply current	<= 15mA
Off-state current	<= 20µA
Voltage drop	<= 2.5V
Short circuit protection	yes
Protected against polarity reversal	yes



Utilization categories DC 13  
 Insulation class II

Datasheet number:

Definitions see general catalog.  
 If not otherwise noted, ratings according to  
 IEC 60947-5-2 (DIN EN60947-5-2)

Balluff GmbH  
 P.O.Box 1160  
 73761 Neuhausen Germany  
 Phone (07158) 173-0 Fax (07158) 5010