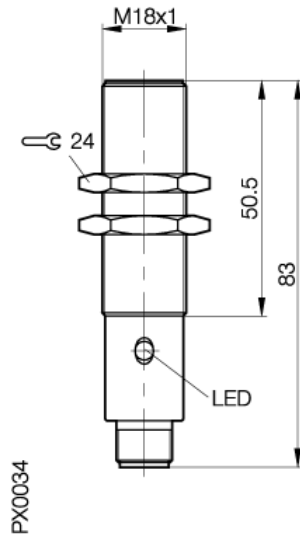


**BES 516-326-G-S 4-C**  
Inductive Sensors

PNP  
NO  
flush mountable

**BALLUFF**  
sensors worldwide



**Electrical data:**

Connection	connector
Rated operational voltage (Ue)	24 DC V
Load current capacity (Ie)	200 mA
Time delay before availability	30 ms
Electrical type	DC
Utilization category	DC 13
Hysteresis max (H)	15 %
No-load supply current damped	= 12 mA
Off-state current max (Ir)	80 µA
Ripple max. of Ue	= 15 %
Switching output	PNP
Switching element function	NO
Operating frequency (f)	80 Hz
Voltage drop max. static	2,5 V
Supply voltage max. (Ub)	30 V
Supply voltage min. (Ub)	10 V

**Mechanical data:**

Number of Wires	3-wire
Tightening torque	25 Nm
Rated operating distance (sn)	8 mm
Diameter	M18x1 mm
Assured operating distance	0...6,4 mm
Mounting	flush mountable
Ambient temperature max	+70 °C
Ambient temperature min	0 °C
Degree of pollution	3
Sensing face material	PBTP
Housing material	CuZn, nickel plated
Repeat accuracy max. (R)	= 5 %

**General data:**

Output indication	yes
Short circuit protected	yes
Degree of protection IP	IP67
Insulation class	2
Protected against polarity reversal	yes
Approval	CE,c_ul_us

**wiring**



**Pinout**



**www.balluff.com**

Balluff Europe: +49 7158 173 -0  
Balluff USA: 1-800-54 3-83 90  
Balluff Asia: +86 21-50 64 41 31

Online Productinformation  
2008-02-15