

THIS DRAWING IS UNPUBLISHED.

RELEASED FOR PUBLICATION

--

© COPYRIGHT - By -

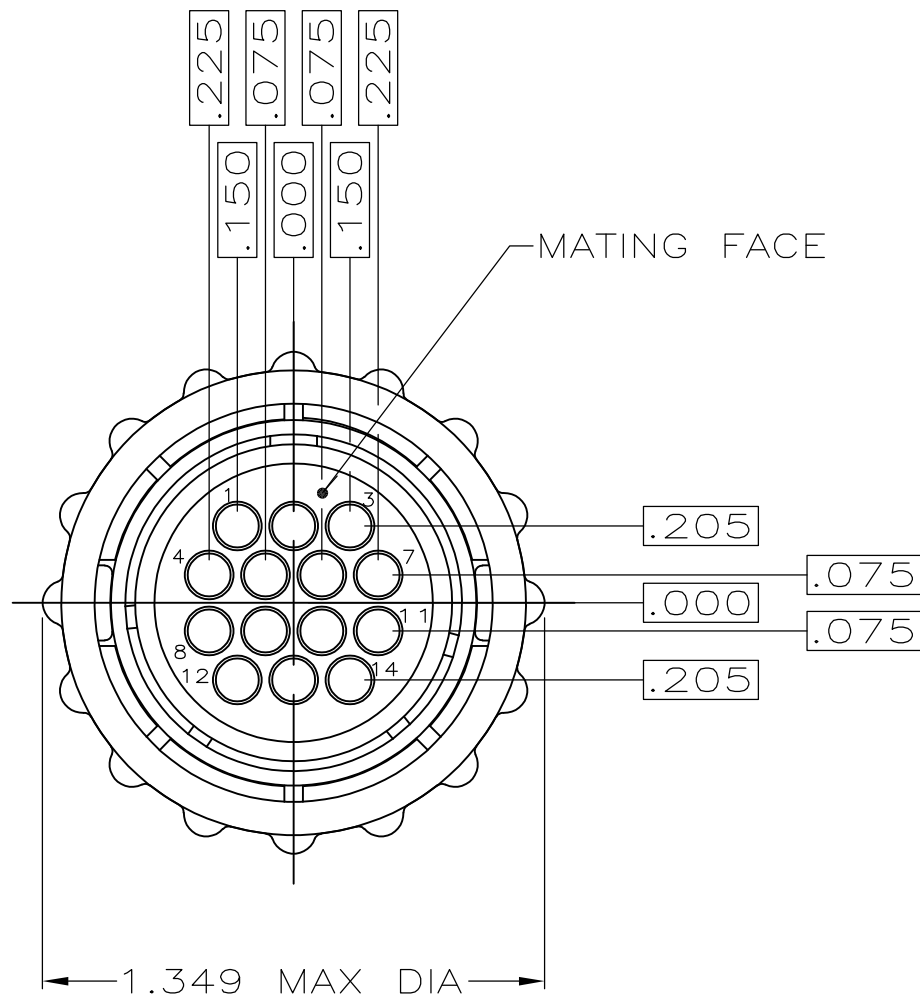
ALL RIGHTS RESERVED.

LOC
FT

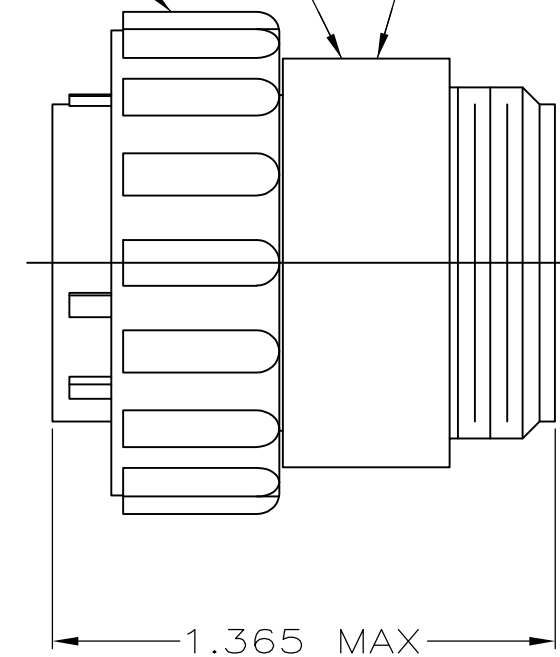
DIST
4

REVISIONS

| P | LTR | DESCRIPTION | DATE | DWN | APVD |
|----|-----|---------------------------|---------|-----|------|
| G1 | | REVISED PER ECO-11-004587 | 11MAR11 | RK | HMR |


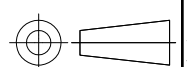


GLASS FILLED NYLON, 6/6, BLACK
 POLYESTER, BLACK
 AMP & PART NUMBER THIS DIA



206044-1
 PART NUMBER

- CONTACT CAVITIES IDENTIFIED BY CHARACTERS ON FRONT AND REAR FACE OF CONNECTOR.
- WILL ACCEPT (14) MULTIMATE PIN CONTACTS.

| | | | | | |
|---------------------------------------------------------------------------------------|--|------------------|----------|-------------------------------------------------------------------------------------------------------|------------------------|
| THIS DRAWING IS A CONTROLLED DOCUMENT. | | DWN S.RIDGLEY | 7/31/90 |  TE Connectivity | |
| DIMENSIONS: INCHES | | CHK R.STONE | 04/26/91 | | |
| TOLERANCES UNLESS OTHERWISE SPECIFIED: | | APVD K.BEAVER | 04/30/91 | NAME PLUG ASSEMBLY, SHELL SIZE 17, REVERSE SEX, CPC | |
|  | | PRODUCT SPEC | | SIZE A3 | |
| MATERIAL SEE CALLOUTS | | APPLICATION SPEC | | CAGE CODE 00779 | DRAWING NO C-206044 |
| FINISH | | WEIGHT | - | RESTRICTED TO | - |
| | | CUSTOMER DRAWING | | SCALE 2:1 | SHEET 1 OF 1 |
| | | | | REV G1 | |