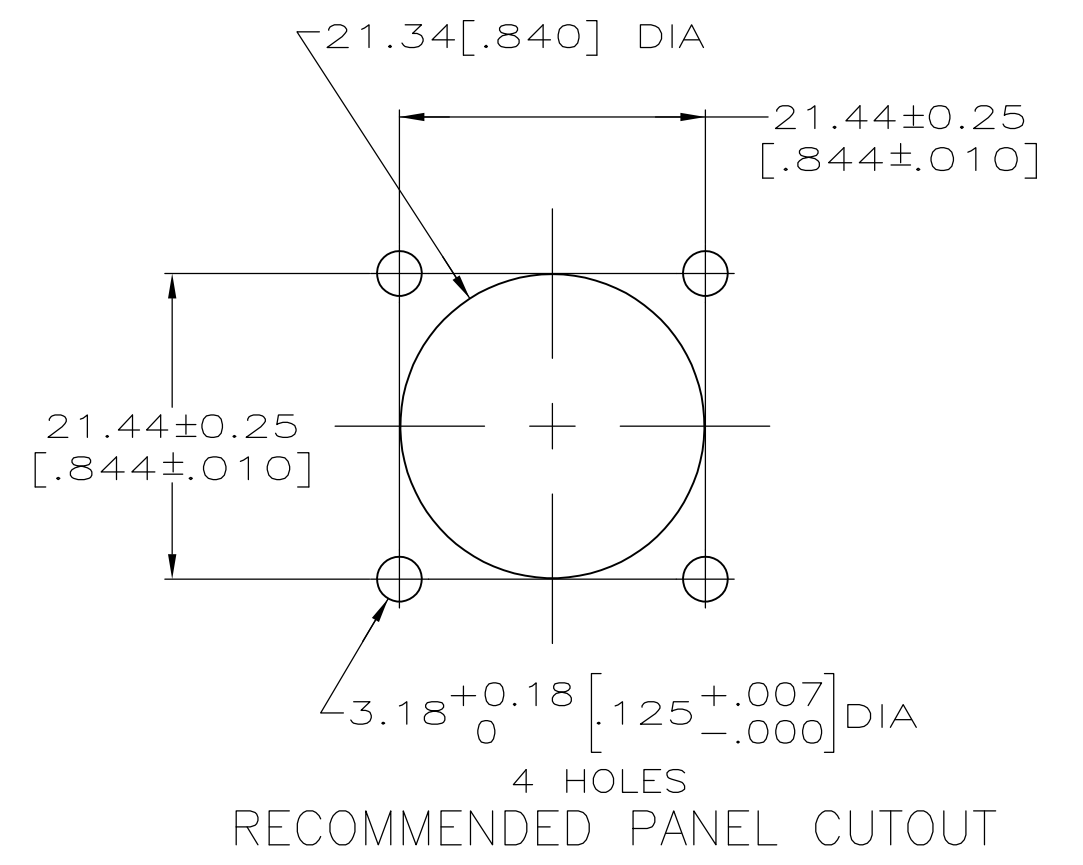
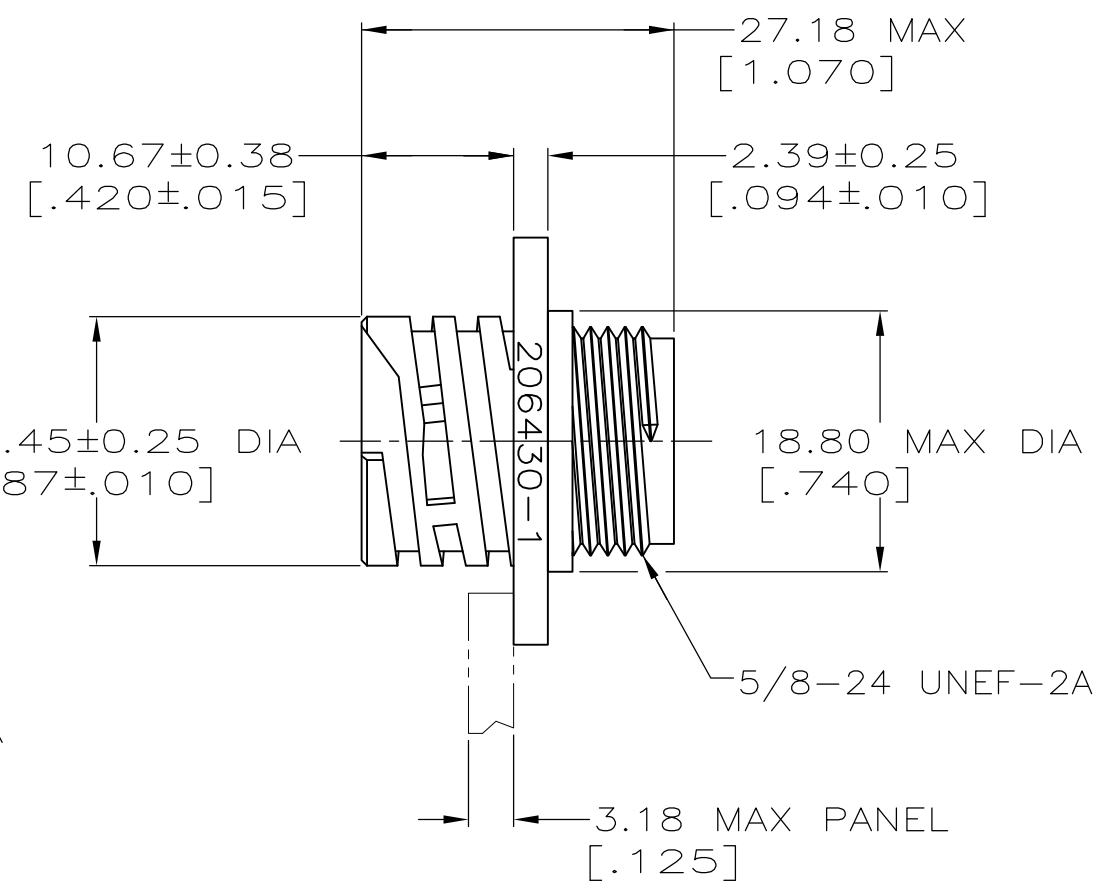
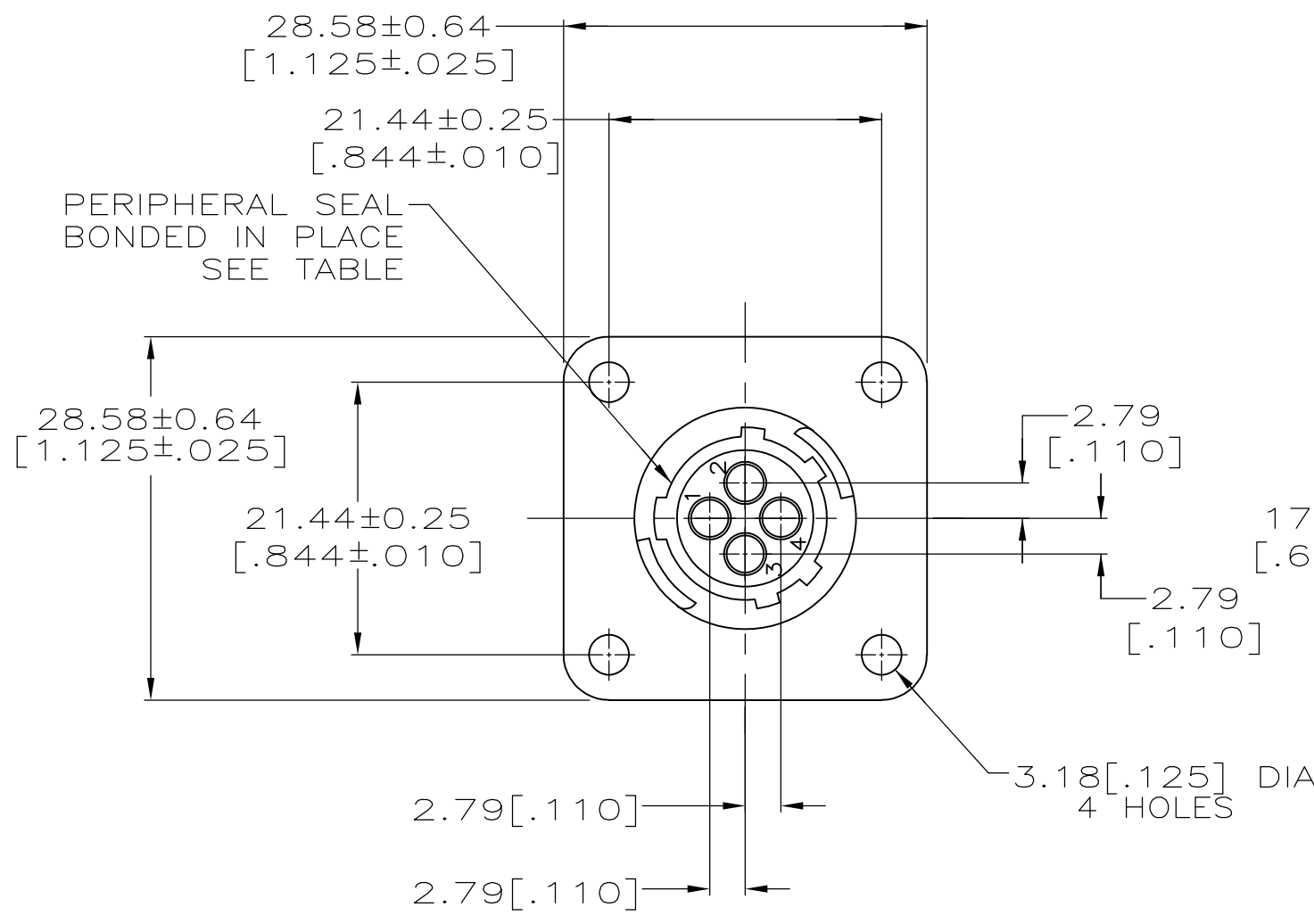
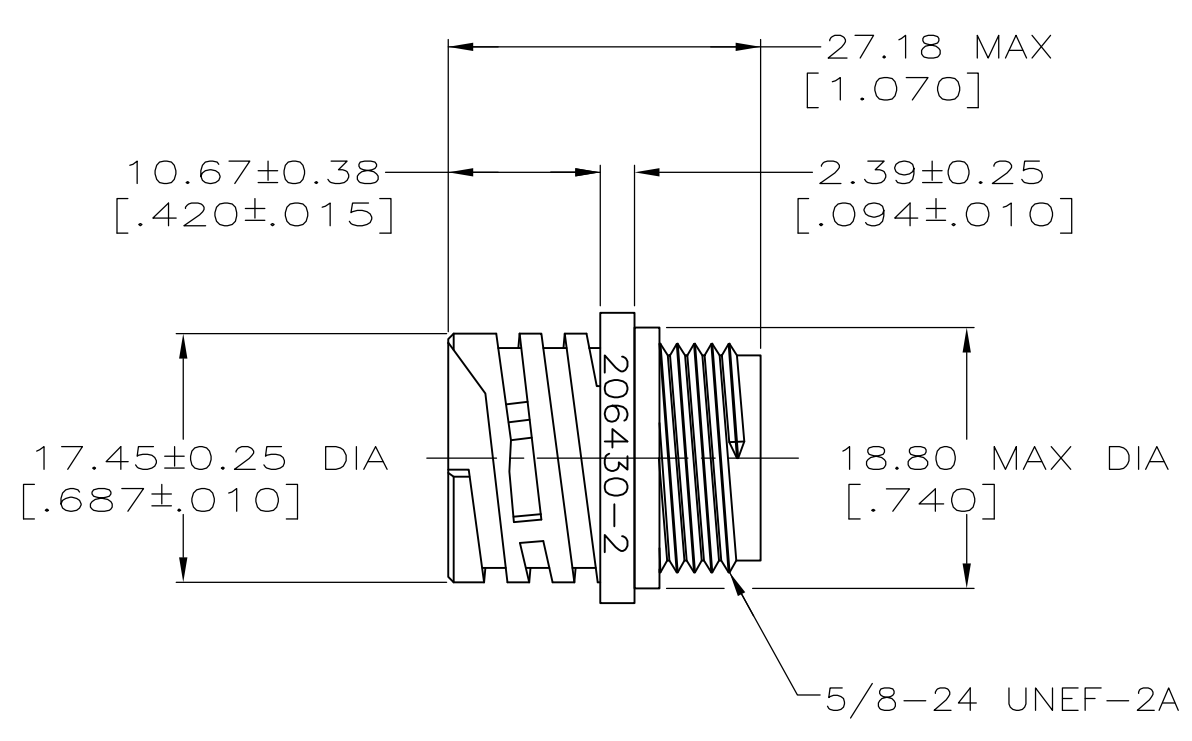
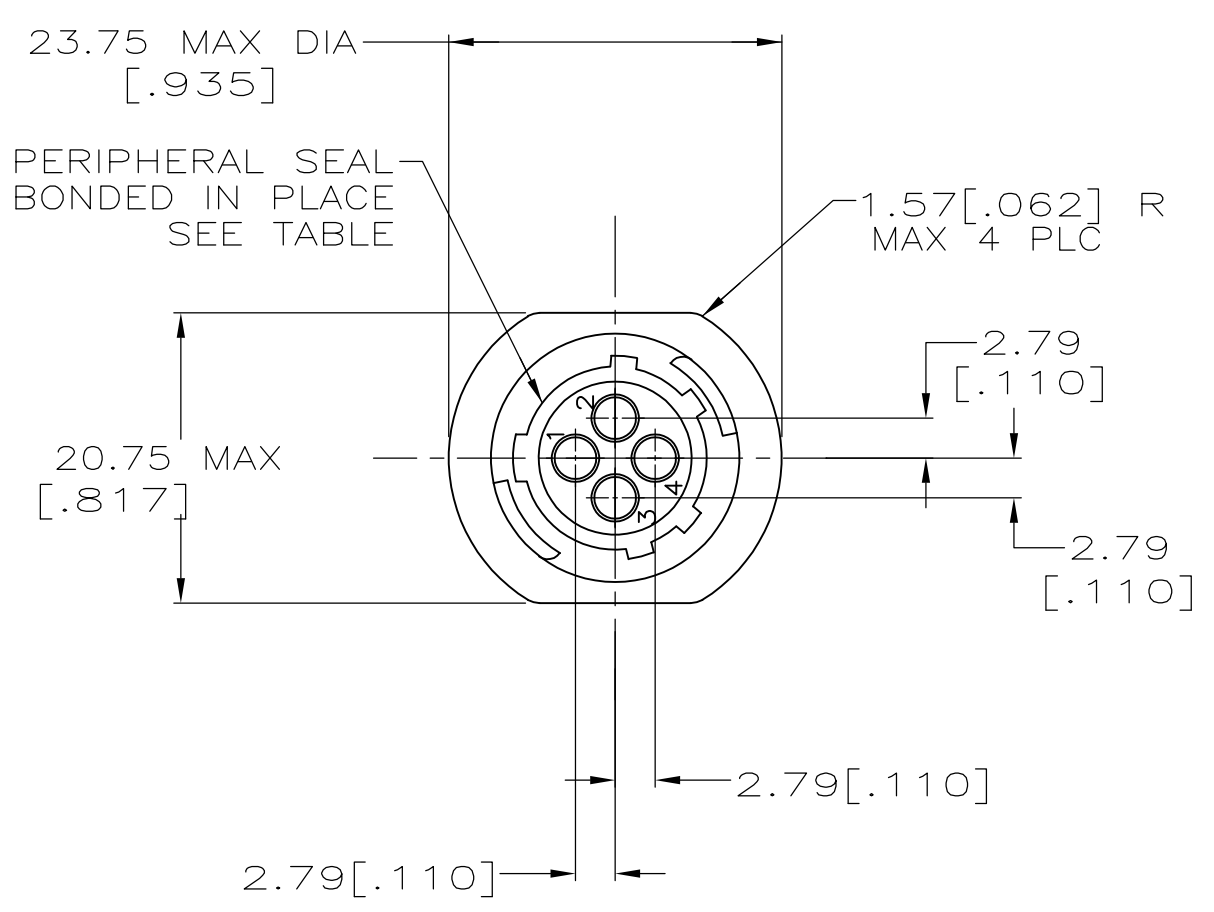


MOD	LOC	DIST	REVISIONS			
P	LTR	DESCRIPTION	DATE	OWN	APVD	
4	BD	35	J		REVISED PER ECO-14-003985	18MAR2014 NK MZ



DETAIL A



DETAIL B

SMALL PACK	NO	A	206430-5
STANDARD	YES	B	206430-4
STANDARD	YES	A	206430-3
STANDARD	NO	B	206430-2
STANDARD	NO	A	206430-1
PACKAGING	PERIPHERAL SEAL	SEE DETAIL	PART NO

- CAVITY IDENTIFICATION ON FRONT AND REAR FACE.
- WILL ACCEPT FOUR (4) MULTIMATE SOCKET CONTACTS.

THIS DRAWING IS A CONTROLLED DOCUMENT.

DWN	W.LENKER	09/09/92	TE Connectivity
CHK	R.STONE	08/11/93	
APVD	A.FRANTUM	08/13/93	
NAME	RECEPTACLE HOUSING, REVERSE SEX, SHELL SIZE 11, CPC		
DIMENSIONS:	mm[INCHES]	TOLERANCES UNLESS OTHERWISE SPECIFIED:	PRODUCT SPEC
		0 PLC ± -	108-10024
		1 PLC ± -	APPLICATION SPEC
		2 PLC ± 0.13 [.005]	SIZE
		3 PLC ± -	CAGE CODE
		4 PLC ± -	DRAWING NO
		ANGLES ± ± -	RESTRICTED TO
MATERIAL	NYLON, BLACK	FINISH	-
CUSTOMER DRAWING		WEIGHT	-
		SCALE	2:1
		SHEET	1 of 1
		REV	J