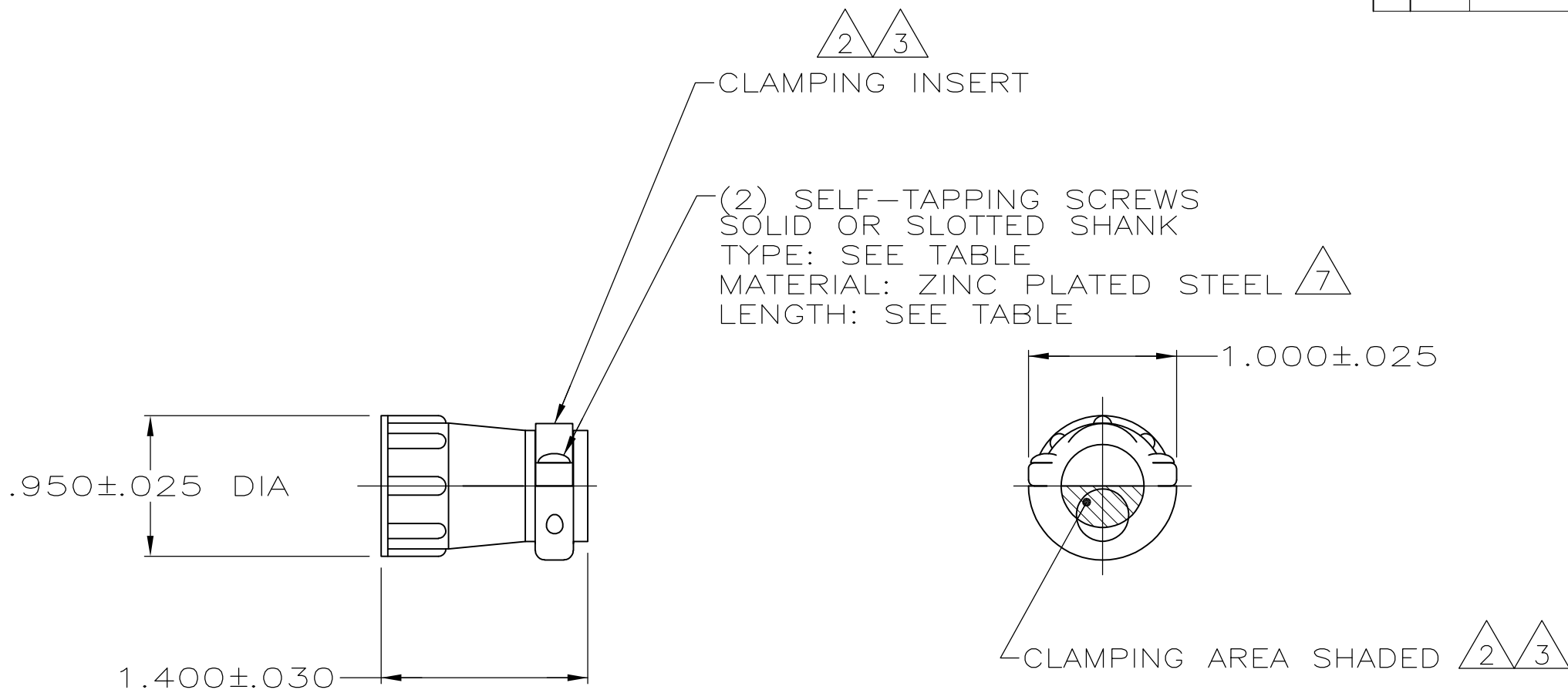


THIS DRAWING IS UNPUBLISHED. RELEASED FOR PUBLICATION
 © COPYRIGHT - By - ALL RIGHTS RESERVED.

LOC	DIST	REVISIONS					
FT	0	P	LTR	DESCRIPTION	DATE	DWN	APVD
			M3	REVISED PER ECO-11-004587	11MAR11	RK	HMR



(triangle 2, triangle 7)	(triangle 5) BULK	$.50 \pm .05$	#5-20	206966-9
(triangle 8, triangle 2, triangle 7) OBSOLETE	SMALL PACK	$.50 \pm .05$	#5-20	206966-8
(triangle 2, triangle 7)	INDIVIDUAL	$.50 \pm .05$	#5-20	206966-7
(triangle 8, triangle 7) OBSOLETE	SMALL PACK	$.50 \pm .05$	#5-20	206966-6
(triangle 2) AMP BRAZIL USE ONLY	INDIVIDUAL	$12\text{mm} \pm .8$	3mm-20	(triangle 6) 206966-5
	INDIVIDUAL	$.50 \pm .05$	#5-20	(triangle 6) 206966-4
(triangle 7) SUPERSEDED BY 206966-9	(triangle 5) BULK	$.50 \pm .05$	#5-20	206966-2
(triangle 7) SUPERSEDED BY 206966-7	INDIVIDUAL	$.50 \pm .05$	#5-20	206966-1
	PACKAGING	SCREW LENGTH	SCREW TYPE	PART NUMBER

- 1 PARTS PACKAGED UNASSEMBLED.
- (triangle 2) CABLE CLAMPING AREA ADJUSTABLE FROM .010 TO .161 SQ IN BY REVERSING CLAMPING INSERTS. (2 INSERTS SUPPLIED).
- (triangle 3) CABLE CLAMPING AREA ADJUSTABLE FROM .010 TO .161 SQ IN BY CHANGING CLAMPING INSERTS. (4 INSERTS SUPPLIED, -4 ONLY).
- 4 .453 MAXIMUM CABLE OUTSIDE DIAMETER.
- (triangle 5) BULK PACKAGED KITS TO BE ORDERED IN MULTIPLES OF 200 ONLY.
- (triangle 6) OBSOLETE PART NUMBER.
- (triangle 7) ZINC PLATED NON-HEXAVALENT CHROMATE.
- (triangle 8) OBSOLETE PARTS: OBSOLETE CIS STREAMLINING PER D.RENAUD/D.SINISI

THIS DRAWING IS A CONTROLLED DOCUMENT.		DWN	4/23/91		STE TE Connectivity																	
DIMENSIONS: INCHES		CHK	7-23-92																			
TOLERANCES UNLESS OTHERWISE SPECIFIED:		W.G.LENKER																				
<table border="0"> <tr><td>0 PLC</td><td>± -</td></tr> <tr><td>1 PLC</td><td>± -</td></tr> <tr><td>2 PLC</td><td>± -</td></tr> <tr><td>3 PLC</td><td>± -</td></tr> <tr><td>4 PLC</td><td>± -</td></tr> <tr><td>ANGLES</td><td>± -</td></tr> </table>		0 PLC	± -	1 PLC		± -	2 PLC	± -	3 PLC	± -	4 PLC	± -	ANGLES	± -	NAME							
0 PLC	± -																					
1 PLC	± -																					
2 PLC	± -																					
3 PLC	± -																					
4 PLC	± -																					
ANGLES	± -																					
MATERIAL: THERMOPLASTIC		FINISH: -			CABLE CLAMP KIT, STANDARD, SHELL SIZE 13, CPC																	
<table border="0"> <tr><td>0</td><td>PLC</td><td>± -</td></tr> <tr><td>1</td><td>PLC</td><td>± -</td></tr> <tr><td>2</td><td>PLC</td><td>± -</td></tr> <tr><td>3</td><td>PLC</td><td>± -</td></tr> <tr><td>4</td><td>PLC</td><td>± -</td></tr> <tr><td>ANGLES</td><td></td><td>± -</td></tr> </table>		0	PLC	± -			1	PLC	± -	2	PLC	± -	3	PLC	± -	4	PLC	± -	ANGLES		± -	PRODUCT SPEC: 108-10024
0	PLC	± -																				
1	PLC	± -																				
2	PLC	± -																				
3	PLC	± -																				
4	PLC	± -																				
ANGLES		± -																				
CUSTOMER DRAWING		APVD	-		SIZE	CAGE CODE	DRAWING NO	RESTRICTED TO														
		WEIGHT: -			A3	00779	C-206966	-														
		SCALE: NTS			SHEET: 1 OF 1		REV: M3															