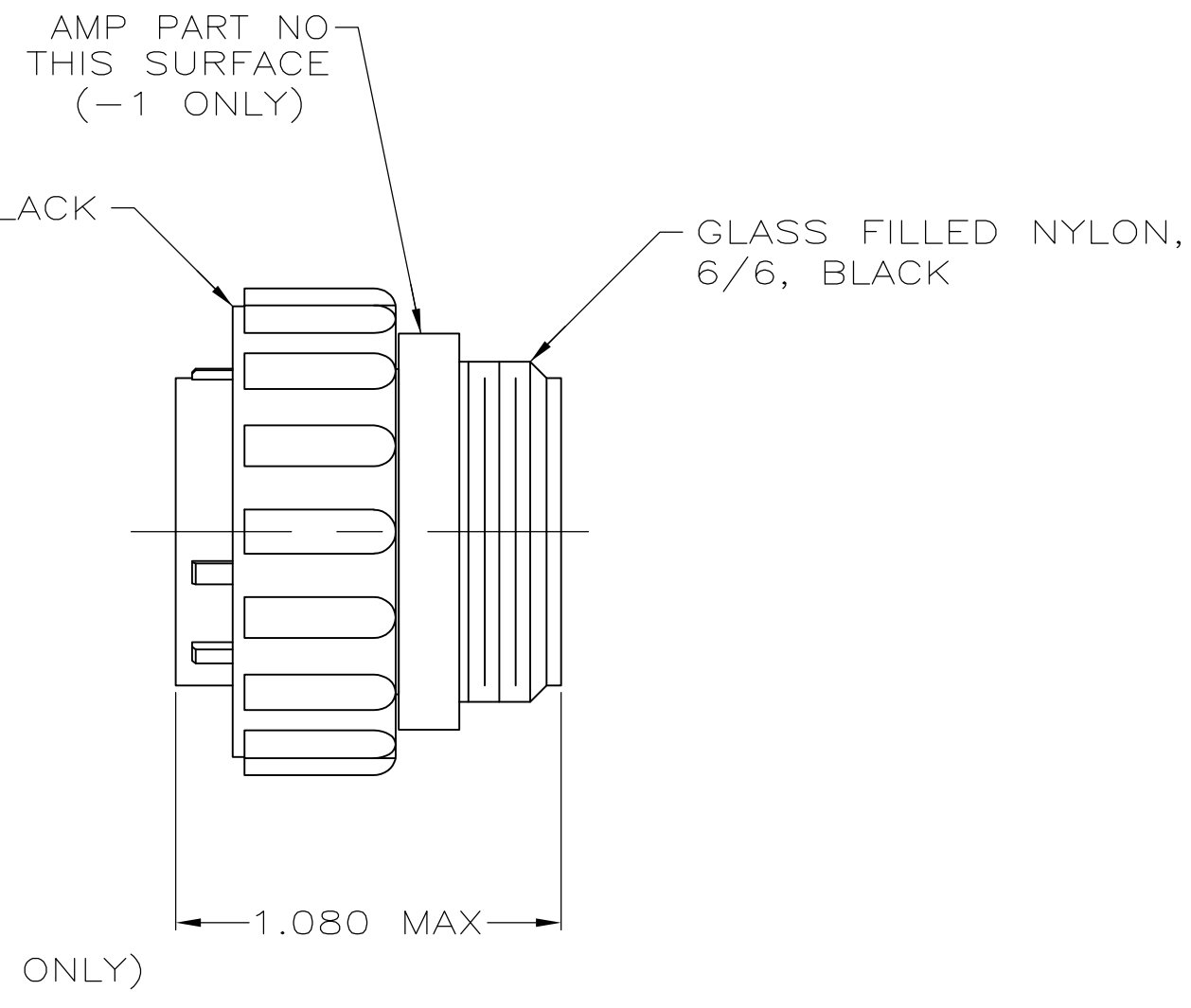
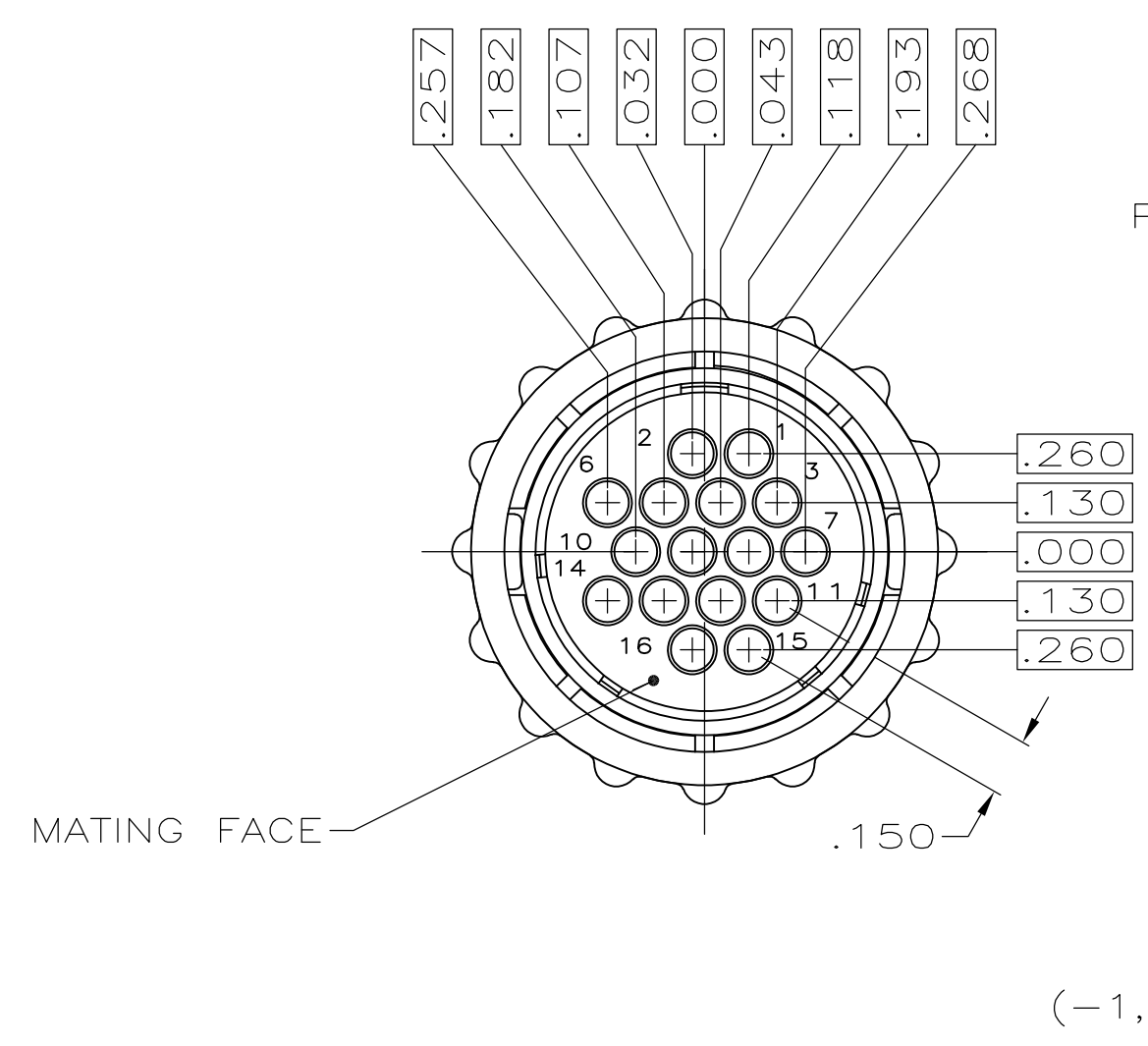
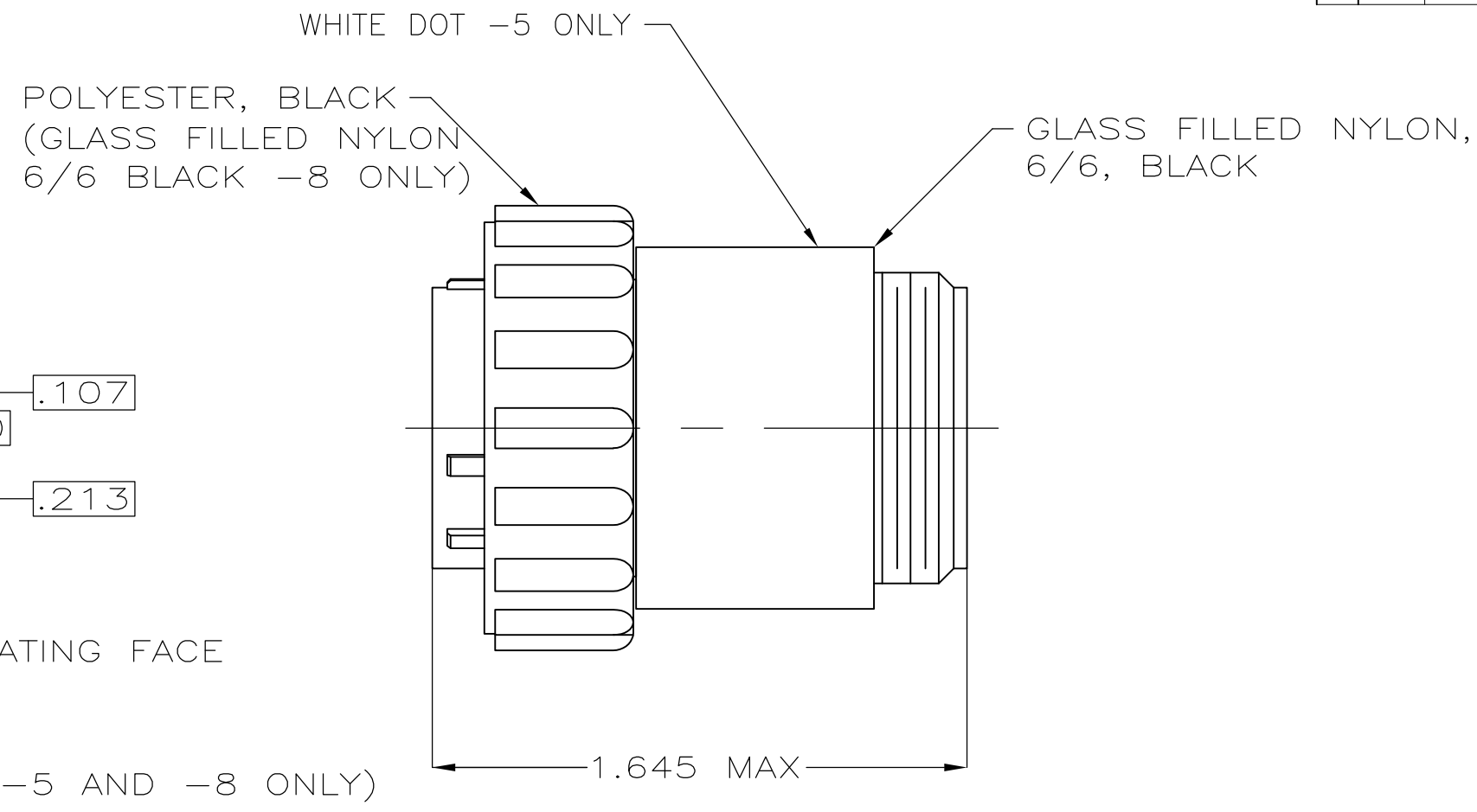
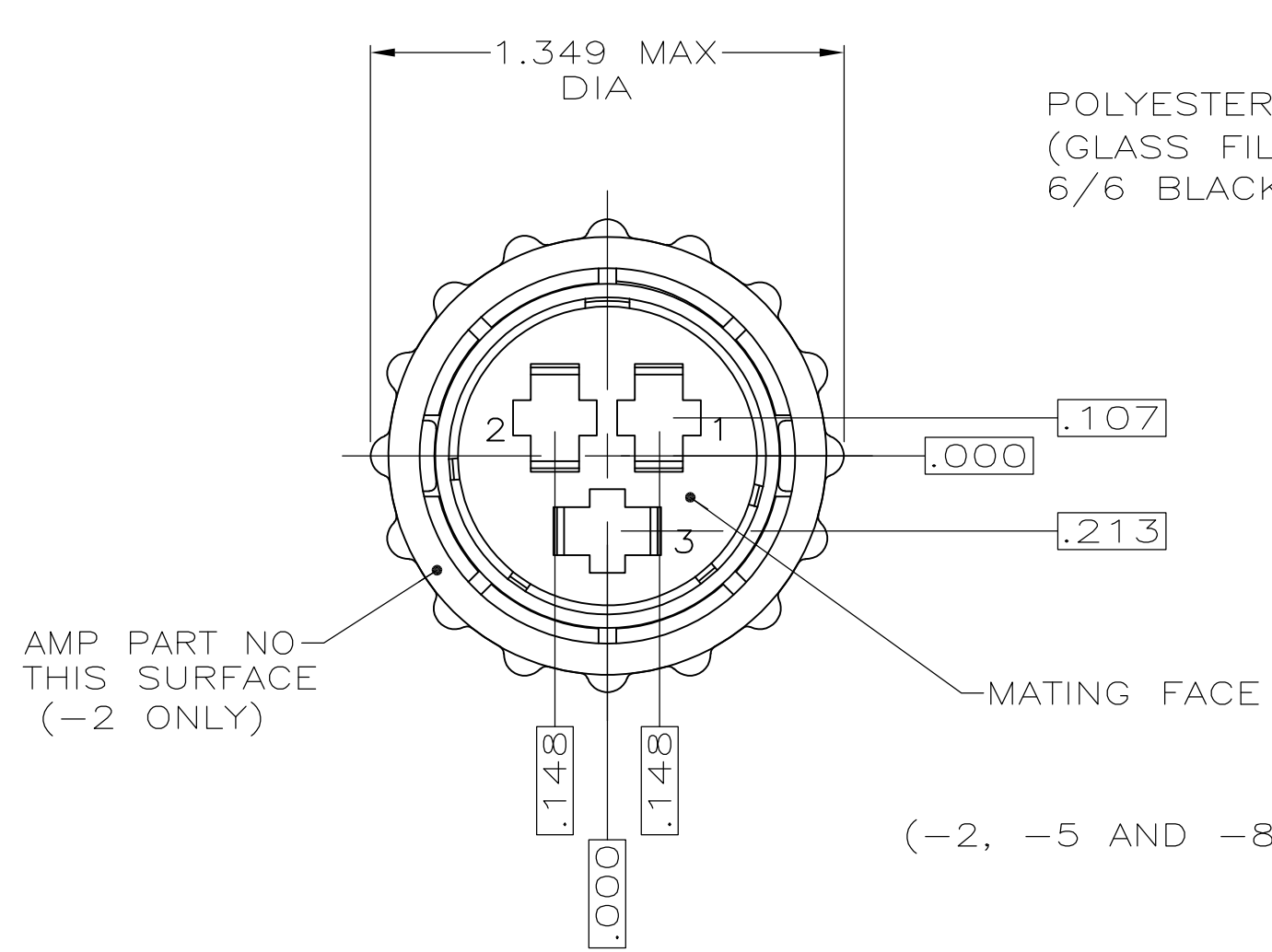


THIS DRAWING IS UNPUBLISHED. RELEASED FOR PUBLICATION
 © COPYRIGHT - By - ALL RIGHTS RESERVED.

LOC		DIST		REVISIONS			
P	LTR	DESCRIPTION	DATE	DWN	APVD		
	K2	REVISED PER ECO-11-012039	14JUN11	HMR	DR		



NOTES:

- CONTACT CAVITIES IDENTIFIED BY CHARACTERS ON FRONT AND REAR FACES OF CONNECTOR.
- PART NUMBER 206037-1, -3 AND -4 WILL ACCEPT (16) MULTIMATE SOCKET CONTACTS.
- PART NUMBER 206037-2, -5 AND -8 WILL ACCEPT (3) TYPE XII SOCKET CONTACTS.
- PRELIMINARY PART NUMBER.
- UL RATED UV(f1) MATERIAL.

5	4	3	206037-8
4	3	2	206037-5
3	2	1	206037-4
2	1		206037-3
1			206037-2
			206037-1
			PART NUMBER

THIS DRAWING IS A CONTROLLED DOCUMENT.		DWN	S.RIDGLEY	BG	8/3/90	STE TE Connectivity	
DIMENSIONS: INCHES		CHK	R.STONE		04/26/91		
TOLERANCES UNLESS OTHERWISE SPECIFIED:		APVD		-		PRODUCT SPEC	
0 PLC ± -		APVD		-		APPLICATION SPEC	
1 PLC ± -		WEIGHT		-		SIZE	
2 PLC ± -		CUSTOMER DRAWING		A2		CAGE CODE	
3 PLC ± .005		SCALE		2:1		DRAWING NO	
4 PLC ± -		SHEET		1 of 1		RESTRICTED TO	
4 ANGLES ± -		REV		K2		-	
FINISH		-		-		-	
MATERIAL SEE NOTES		-		-		-	