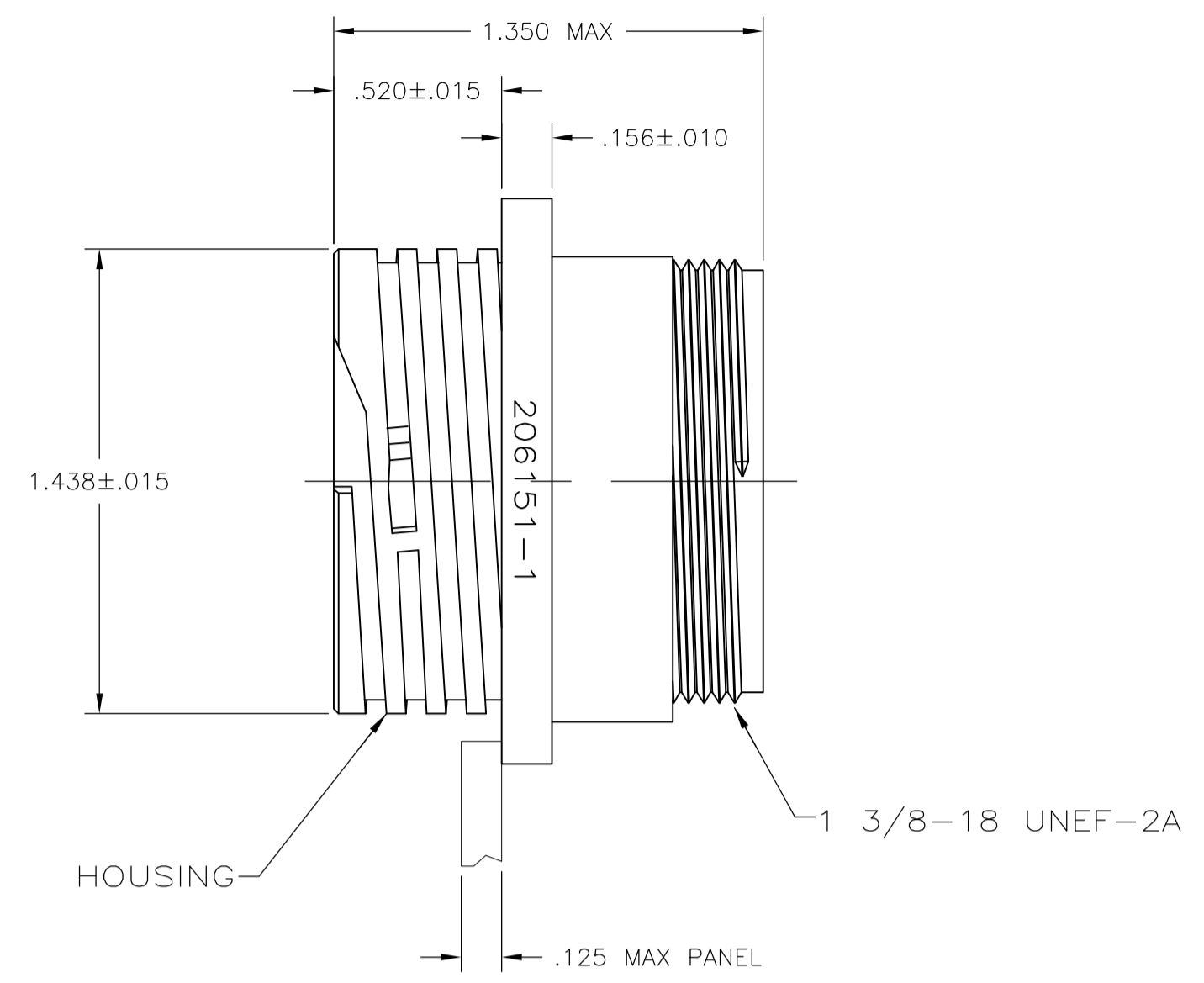
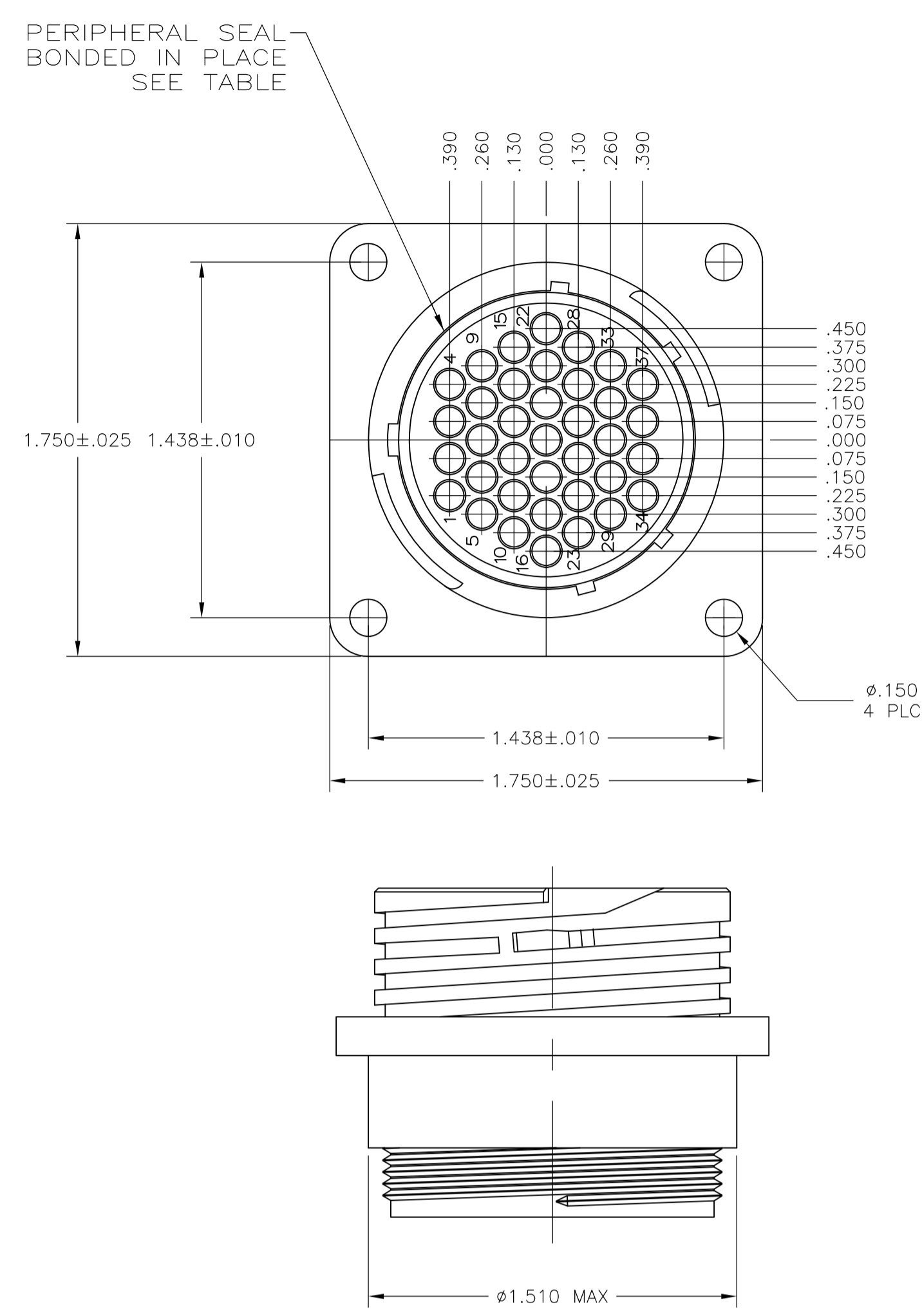
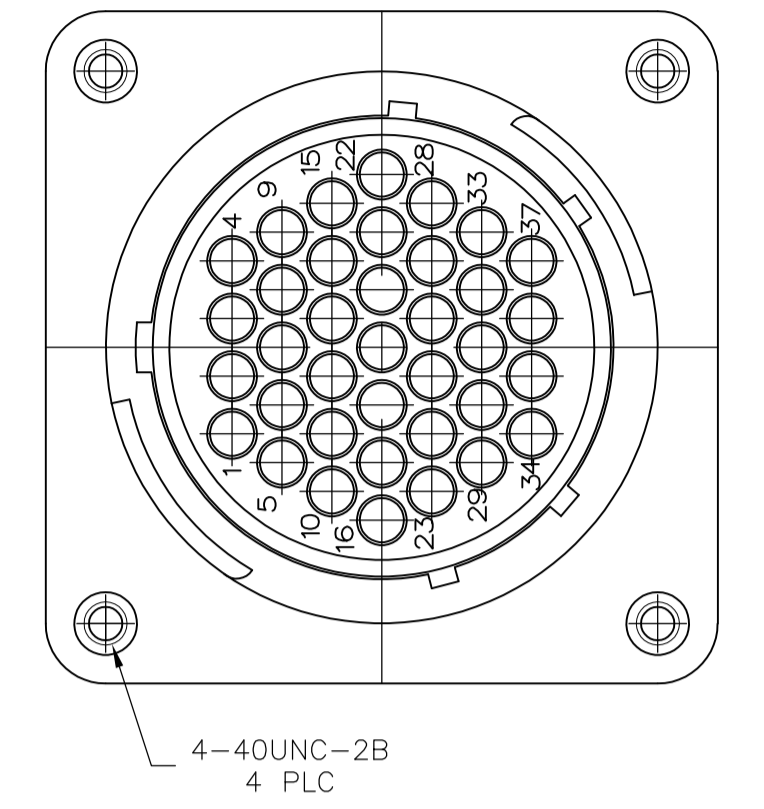
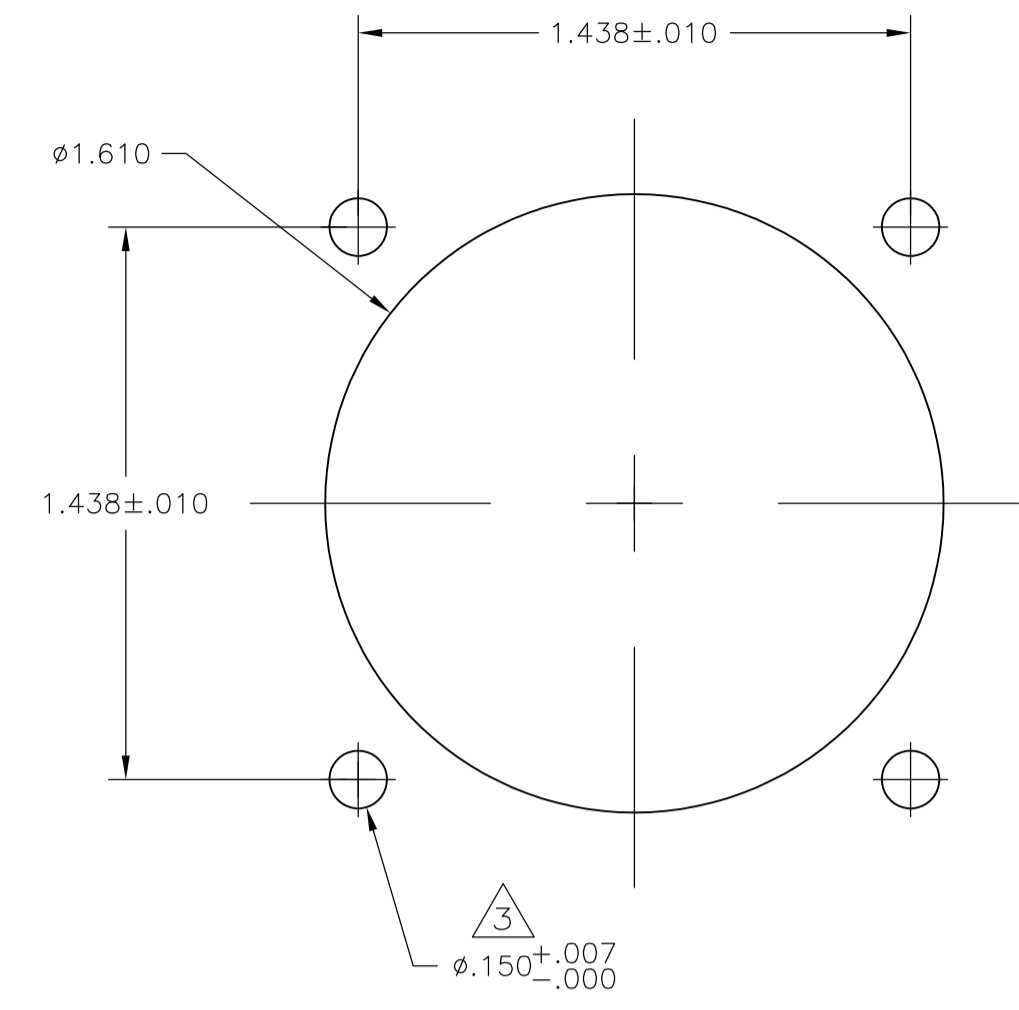


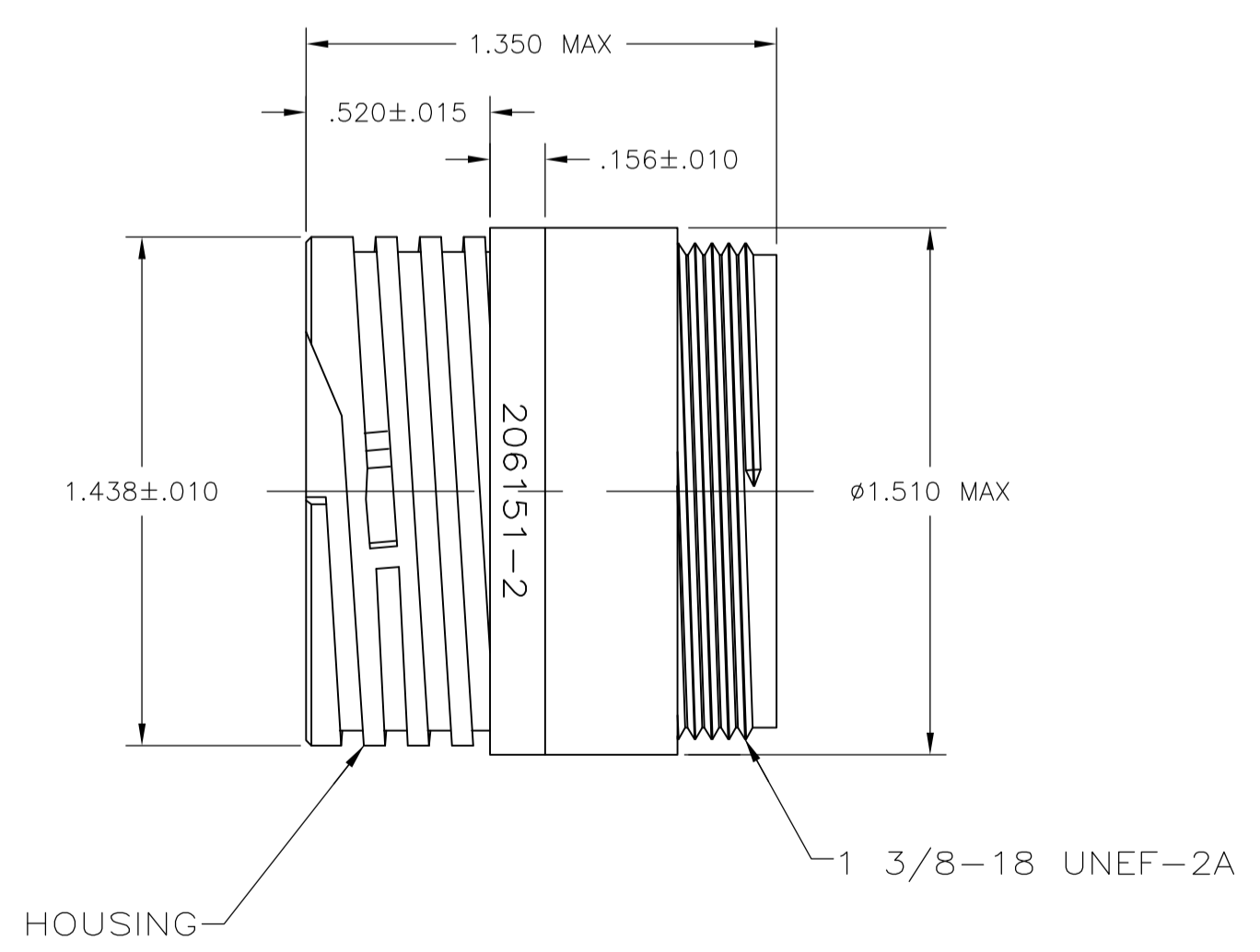
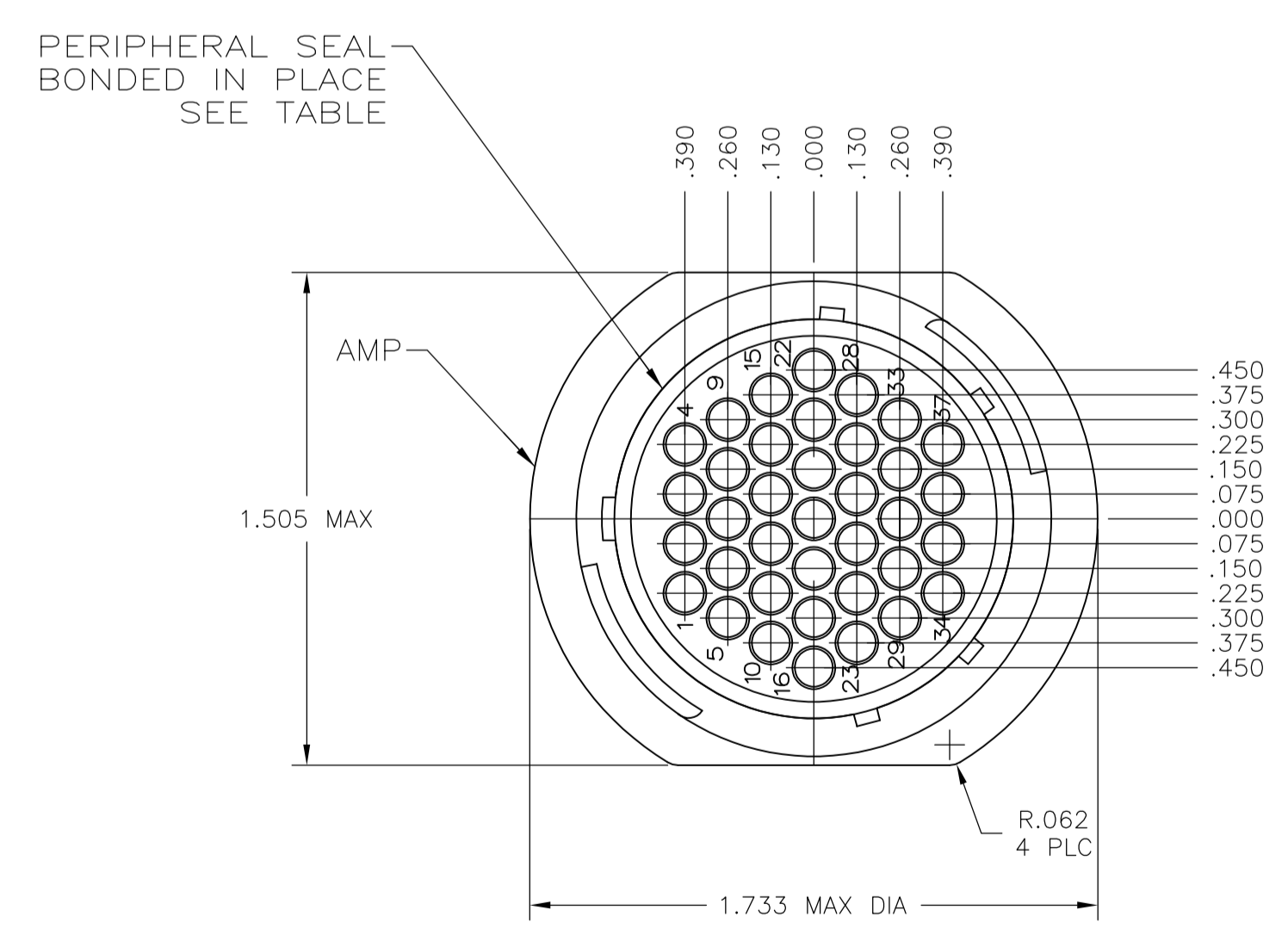
LOC		DIST		REVISIONS			
FT	0	P	LTR	DESCRIPTION	DATE	DWN	APVD
M				REVISED PER ECO-12-015521	28SEP12	KH	MZ



DETAIL A



DETAIL C
206151-6 ONLY



DETAIL B

- 1 CAVITY IDENTIFICATION ON FRONT AND REAR FACE.
- 2 WILL ACCEPT THIRTY-SEVEN (37) MULTIMATE PIN CONTACTS.
- 3 NO 4 FASTENER RECOMMENDED FOR MOUNTING.
- 4 WHITE DOT NEAR POSITION 1 ON WIRE ENTRY FACE.
- 5 OBSOLETE PARTS: OBSOLETE CIS STREAMLINING PER D.RENAUD/D.SINISI

REV	DESCRIPTION	DATE	DWN	APVD
4	STANDARD	YES	A	206151-8
PRELIMINARY	STANDARD	NO	A & C	206151-6
5	OBsolete	NO	A	206151-5
	STANDARD	YES	B	206151-4
	STANDARD	YES	A	206151-3
	STANDARD	NO	B	206151-2
	STANDARD	NO	A	206151-1
	PACKAGING	PERIPHERAL SEAL	SEE DETAIL	PART NUMBER

THIS DRAWING IS A CONTROLLED DOCUMENT.

DIMENSIONS: INCHES	TOLERANCES UNLESS OTHERWISE SPECIFIED:	DIN S SCHLEGEL 08DEC2002	TE Connectivity
0 PLC ± -	1 PLC ± -	FRANTUM 8/13/83	RECEPTACLE HOUSING, STANDARD SEX, SHELL SIZE 23, CPC
2 PLC ± -	3 PLC ± .005	STONE 8/13/83	APVD
4 PLC ± -	ANGLES ± -	NAME	RESTRICTED TO
MATERIAL: HOUSING: NYLON BLACK SEAL: ELASTOMER, GREY	FINISH: -	WEIGHT: -	SIZE: A1 00779 C=206151
		CUSTOMER DRAWING	SCALE: 2:1 SHEET 1 OF 1 REV M