

# PRODUCT SPECIFICATION

## Model No.: FYL-5463UBT1E

| Descriptions:                           |
|---|
| ■ Dice material: InGaN.                 |
| ■ Emitting Color: Super bright Blue.    |
| ■ Device Outline: Φ5*4 mm ellipse type. |
| ■ Lens Type: Blue transparent.          |



| CUSTOMER APPROVED SIGNATURES | APPROVED BY | CHECKED BY | PREPARED BY |
|------------------------------|-------------|------------|-------------|
|                              |             |            |             |

**NINGBO FORYARD OPTOELECTRONICS CO.,LTD.**

**Add:**NO.115 Qixin Road Ningbo Zhejiang China

**Zip:**315051

**Tel:** 0086-574-87933652 87927870 87922206

**Fax:** 0086-574-87927917

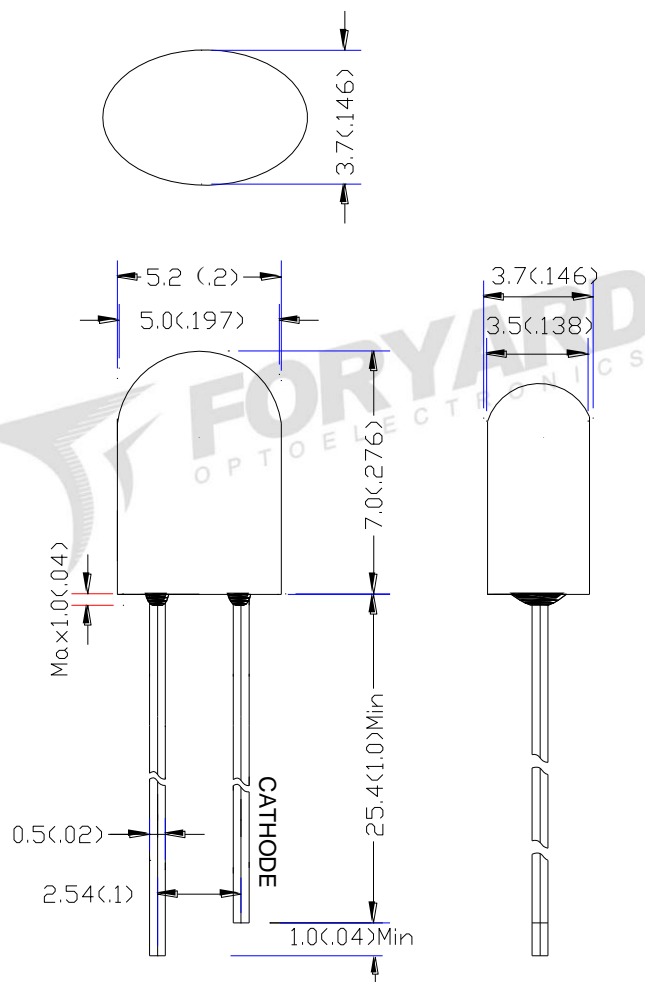
**E-mail:** Sales@foryard.com (General)

[Http://www.foryard.com](http://www.foryard.com)

■ Features

1. Low power consumption.
2. High efficiency.
3. General purpose leads.
4. High intensity.
5. RoHs compliant.

■ Package configuration



Notes:

1. All dimensions are millimeters (inches)
2. Tolerance is  $\pm 0.25\text{mm} (0.010\text{in})$  unless otherwise noted.
3. The specifications, characteristics and technical data described in the datasheet are subject to change without prior notice.

■ Absolute maximum ratings( $T_a=25\text{ }^{\circ}\text{C}$ )

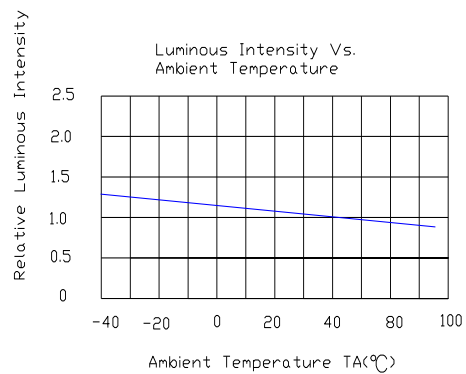
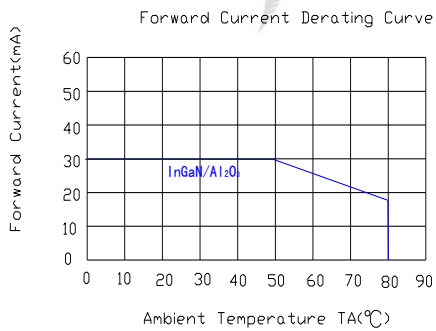
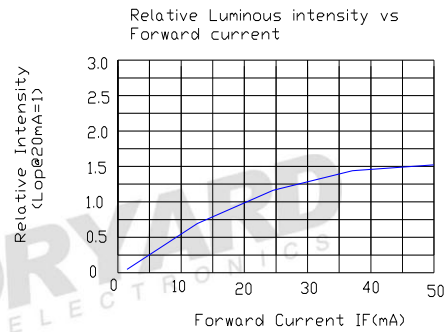
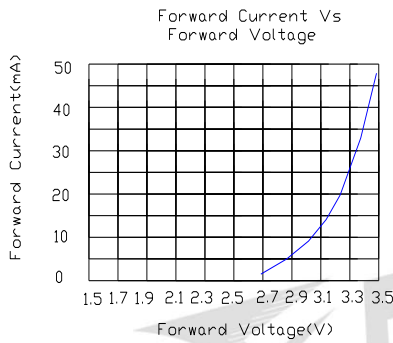
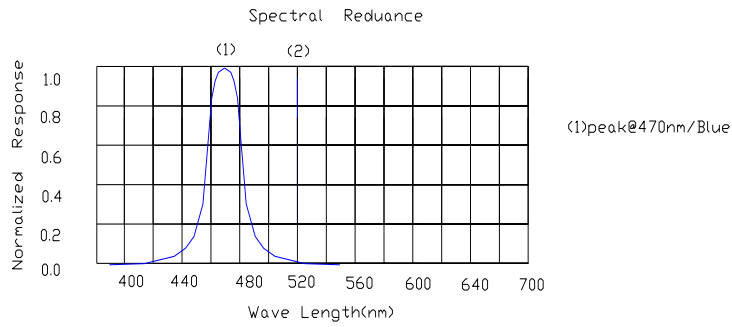
| Parameter   | MAX.  | Unit                   |
|---|---|------------------------|
| Power Dissipation   | 90  | mW                     |
| Peak Forward Current (1/10 Duty Cycle, 0.1ms Pulse Width) | 100   | mA                     |
| Continuous Forward Current                                | 25  | mA                     |
| Derating Linear From 50 $^{\circ}\text{C}$                | 0.4   | mA/ $^{\circ}\text{C}$ |
| Reverse Voltage   | 5   | V                      |
| Operating Temperature Range                               | -40 $^{\circ}\text{C}$ to +85 $^{\circ}\text{C}$  |                        |
| Storage Temperature Range                                 | -40 $^{\circ}\text{C}$ to +100 $^{\circ}\text{C}$ |                        |
| Lead Soldering Temperature[4mm(.157") From Body]          | 260 $^{\circ}\text{C}$ for 5 Seconds              |                        |

■ Electrical and optical characteristics( $T_a=25\text{ }^{\circ}\text{C}$ )

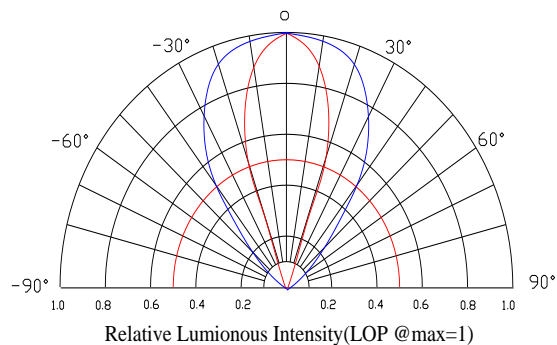
| Parameter                | Symbol          | Min. | Typ. | Max. | Unit          | Test Condition    |
|--------------------------|-----------------|------|------|------|---------------|-------------------|
| Luminous Intensity       | $I_v$           | 1380 | 1800 | -    | mcd           | $I_F=20\text{mA}$ |
| Viewing Angle            | $2\theta_{1/2}$ | X    | 65   | -    | Deg           |                   |
|                          |                 | Y    | 35   | -    |               |                   |
| Peak Emission Wavelength | $\lambda_p$     | -    | 470  | -    | nm            |                   |
| Dominant Wavelength      | $\lambda_d$     | 464  | 468  | 474  | nm            |                   |
| Spectral Line Half-Width | $\Delta\lambda$ | -    | 30   | -    | nm            |                   |
| Forward Voltage          | $V_F$           | 2.8  | 3.2  | 3.4  | V             |                   |
| Reverse Current          | $I_R$           |      |      | 10   | $\mu\text{A}$ | $V_R=5\text{V}$   |

## ■ Typical Electrical Characteristics Curves

(25 °c Ambient Temperature Unless Otherwise Noted)

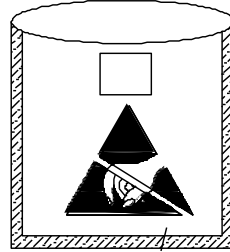
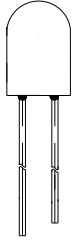


## Radiation pattern.

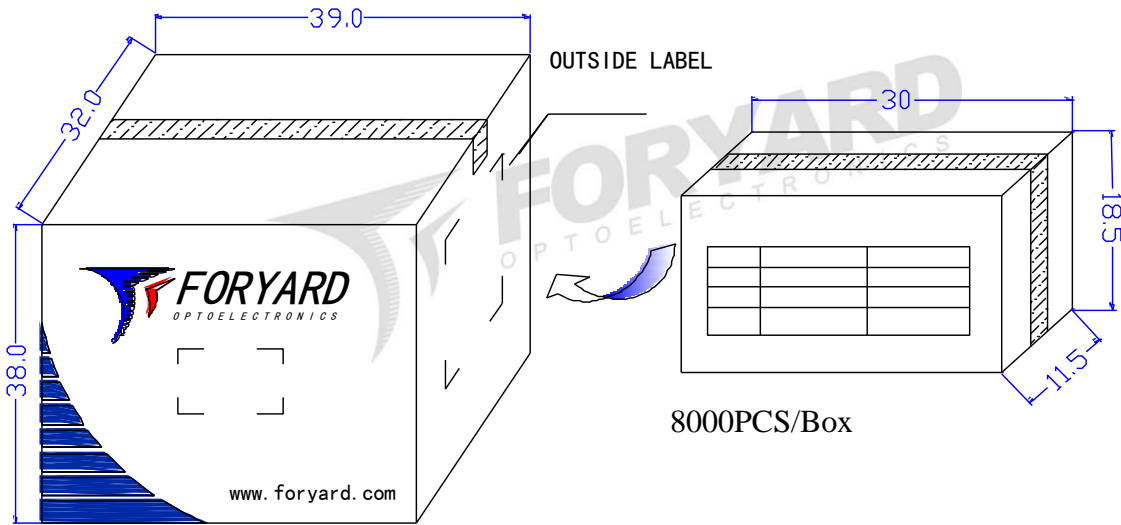
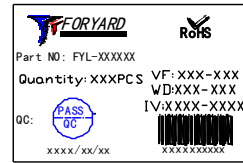


|           |               |
|-----------|---------------|
| Model No. | FYL-5463UBT1E |
| Rev.      | A             |

■ LAMP PACKING.



5mm 1000PCS/Polybag



48000PCS/Carton



OUTSIDE LABEL