

SEMI CODE

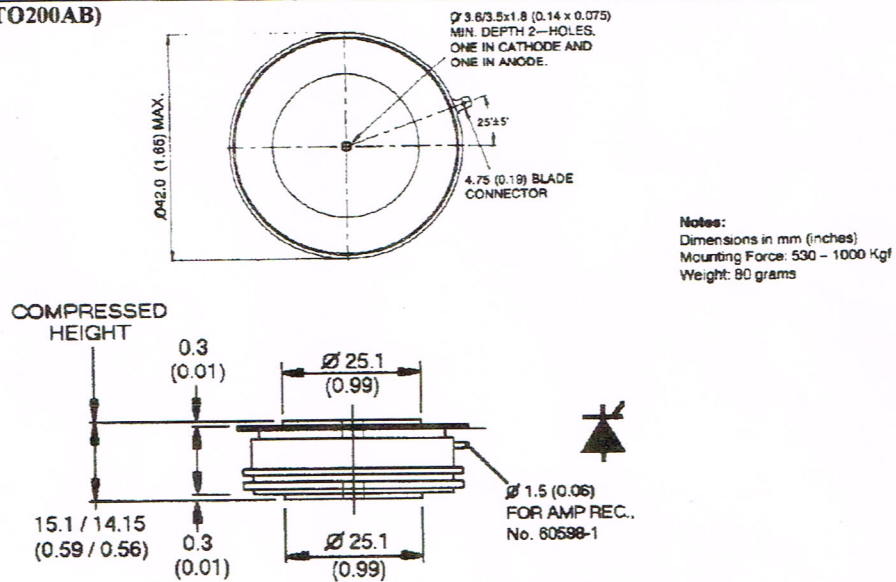
SC 700Hxx

PHASE CONTROL - SCR

RATING	CONDITIONS	SYMBOL	
ITAV forward current. R.M.S. on-state current. ITSM Peak one cycle surge Current. I _t for fusing. di/dt max. dv/dt min. T _q -typical turn-off time	T _c =65°C, conduction angle 180 ° For fusing at 8.3msec Non-repetitive Rate-of-rise off-state voltage I _t =250 A, di/dt=25 A /μsec, reapplied dv/dt=20v/μsec, linear to 0,8V _{drm} . @ 25°C	ITAV ITRMS ITSM I _t di/dt dv/dt T _q	700 A 1.000 A 8.000 A 265.000 A ² s 100 A/μs 200 V/μs 125μs
I _{gt} max. gate trigger current. V _{gt} máx. gate trigger voltage. V _{tm} peak on-state voltage R _{thjc} máx. Thermal resistance junction-to-case. R _{thcs} máx. Thermal resistance Case-to-sink T _j min-máx. jnction operanting temperature. F máx. Mounting torque required	@ 25°C @ I _{tm} =3.000 A	I _{gt} V _{gt} V _{tm} R _{thjc} R _{thcs} T _j min - máx. F máx.	150 mA 3,5 V 1,9 V 0,04 °C/W 0,02 °C/W -40°C-125 °C 2.000 Lb.

VOLTAGE CODE	H08	H10	H12	H14	H16	H18
Repetitive peak voltages VRRM, VDRM	800	1000	1200	1400	1600	1800
Non-repetitive peak off-state voltage (V)						
Non-repetitive peak reverse voltage (V)	900	1100	1300	1500	1700	1900

Dimensions: (TO200AB)



Typical code : SC 700H12 = 700 A ; 1.200 VRRM ; 1.200 VDRM ; Phase control-SCR.