

## Features

Mono-function and multi-function timer range  
22.5 mm wide

87.11 - ON delay, multi-voltage

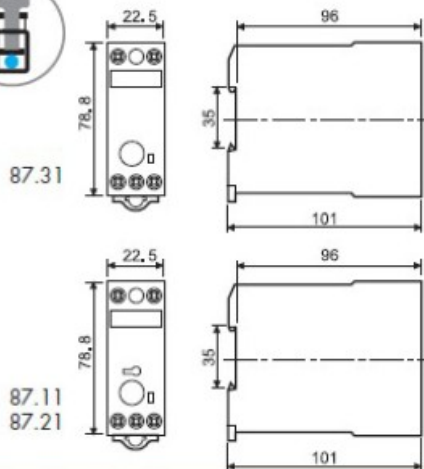
87.21 - ON pulse, multi-voltage

87.31 - Symmetrical recycling, multi-voltage

- 1 Pole output contact
- Wide supply voltage range:  
(24...240)V AC / (24...48)V DC
- LED indicator
- Time setting:  
Types 87.11/21 - 0.05 seconds to 60 hours  
Type 87.31 - 0.5 seconds to 10 seconds
- 35 mm rail (EN 60715) mount

87.11 / 87.21 / 87.31

Screw terminal



87.11



- Mono-function
- 35 mm rail (EN 60715) mount

87.21



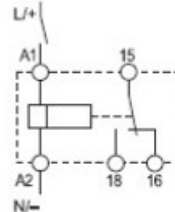
- Mono-function
- 35 mm rail (EN 60715) mount

87.31



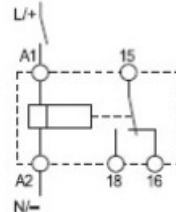
- Mono-function
- 35 mm rail (EN 60715) mount

**AI:** ON delay



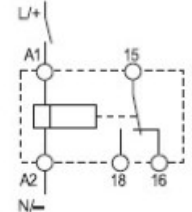
Wiring diagram  
(without signal START)

**DI:** ON pulse



Wiring diagram  
(without signal START)

**SW:** Symmetrical recycling: ON start



Wiring diagram  
(without signal START)

### Contact specification

Contact configuration		1 CO (SPDT)	1 CO (SPDT)	1 CO (SPDT)
Rated current/Maximum peak current	A	8/30	8/30	8/30
Rated voltage/Maximum switching voltage	V AC	250/400	250/400	250/400
Rated load AC1	VA	2,000	2,000	2,000
Rated load AC15 (230 V AC)	VA	400	400	400
Single phase motor rating (230 V AC)	kW	0.185	0.185	0.185
Breaking capacity DC1: 30/110/220 V	A	8/0.5/0.2	8/0.5/0.2	8/0.5/0.2
Minimum switching load	mW (V/mA)	300 (10/5)	300 (10/5)	300 (10/5)
Standard contact material		AgCdO	AgCdO	AgCdO

### Supply specification

Nominal voltage ( $U_N$ )	V AC (50/60 Hz)	24...240	24...240	24...240
	V DC	24...48	24...48	24...48
Rated power AC/DC	VA (50 Hz)/W	5/0.5	5/0.5	5/0.5
Operating range	AC	$(0.85...1.1)U_N$	$(0.85...1.1)U_N$	$(0.85...1.1)U_N$
	DC	$(0.85...1.2)U_N$	$(0.85...1.2)U_N$	$(0.85...1.2)U_N$

### Technical data

Specified time range		See page 6	See page 6	See page 6
Repeatability	%	$\pm 0.2$	$\pm 0.2$	$\pm 0.2$
Recovery time	ms	50	50	50
Minimum control impulse	ms	—	—	—
Setting accuracy-full range	%	$\pm 5$	$\pm 5$	$\pm 5$
Electrical life at rated load in AC1	cycles	$100 \cdot 10^3$	$100 \cdot 10^3$	$100 \cdot 10^3$
Ambient temperature range	$^{\circ}\text{C}$	-20...+70	-20...+70	-20...+70
Protection category		IP 20	IP 20	IP 20

Approvals (according to type)



