

1

2

3

4

5

6

7

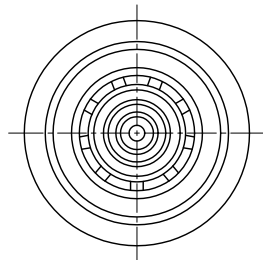
8

A

A

B

B

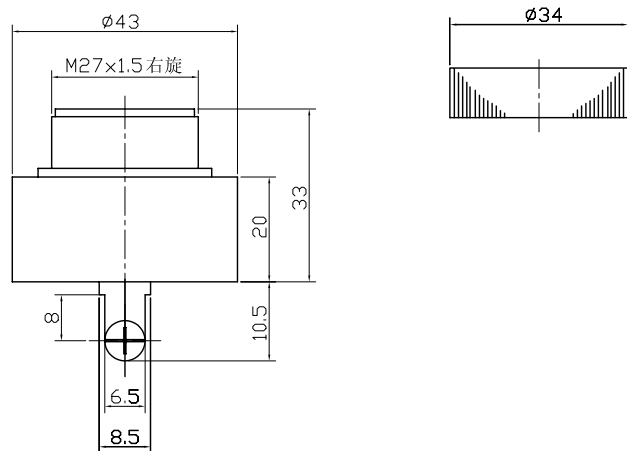


# SPECIFICATION

- 1. Rated Voltage .....230VAC
- 2. Operating Voltage .....200~240VAC
- 3. Max. Rated Current .....20mA at 230VAC
- 4. Min. Sound Pressure Level .....80dB at 230VAC/60cm
- 5. Tone Nature .....Continuous
- 6. Resonant Frequency .....2.9±0.5KHz
- 7. Case Material .....PC
- 8. Operating Temperature .....-20~+80°C
- 9. Store Temperature .....-30~+100°C
- 10. Weight .....40g

C

C

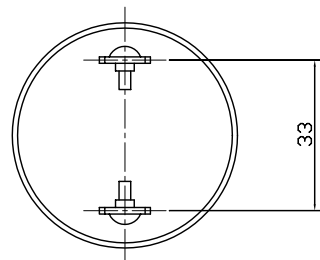


D

D

E

E



F

F

				<b>KEPO</b> NINGBO KEEP IMPROVING ELECTRONIC CO.,LTD <a href="http://www.chinaacoustic.com">http://www.chinaacoustic.com</a>	
				Piezo Buzzer KPI-4321-230	
No.	DESCRIPTION	APPROVED	DATE		
<small>TOLERANCES UNLESS NOTED OTHERWISE X = ± .XX = ± .XXX = ± 90° FORWARD +2° ANGLES -1°</small>		APPROVALS		DATE	
		DRAWN			
		CHECKED		UNIT	DWG NO.
		APPROVED		mm	KP3.840.098
FIRST ANGLE PROJECTION 			03.05.07	SCALE	SHEET
				NOT TO SCALE	VER 1.0

1

2

3

4

5

6

7

8