

Data sheet

Commercial Art.No.: 96.072.6253.1

Device connector RST20i7S S1 M01V SW

RST20i7 device connection M25, 7 pole, male, screw connection, modular, application 250/400V with PE, 20A, coding color black, color of housing black



Commercial Art.No.	96.072.6253.1
EAN	4049088474415
Order Unit	1

Technical data

General

Rated current	20 A
Rated voltage	250 V
Rated voltage 2	400 V
Pollution degree	3
Rated impulse voltage	4 kV
Lockable	self-locking (unlocking by tool)
Color of coding/ contact carrier	Black
Marking of poles	1, 2, 3, 4/N, 5, 6, PE

Connection Data

Connection cross section solid mm ² max.	2.5 mm ²
Connection cross section solid mm ² min.	0.2 mm ²
Connection cross section fine stranded mm ² max.	2.5 mm ²
Connection cross section fine stranded mm ² min.	0.2 mm ²
Terminations per pole	1
Wire strip length	8 mm

Model

Model	male
Connection type	Screw connection
Connecting thread metric	M25
Angle of plug	Straight
Degree of protection (IP)	IP66/68 (3m;2h) /IP69
Thickness of housings (electrical device) 2	0.5 mm
Thickness of housings (electrical device)	8 mm

Material

Housing material	Polyamide
Halogen free	Yes
Contact material	CuZn
Fire load	0.249 kWh
Insulation components continuous temperature	100 °C

Surface finish	Silver-plated
UL classification housing	UL-V2

Dimensions

Length	69 mm
Width	34.6 mm
Height	34.6 mm

Note

Note	Wires with 2,5 mm ² only without ferrules; Positioning realised with flattened thread; 3 poles max. 20A, 4 poles max. 5A
------	---

Classification

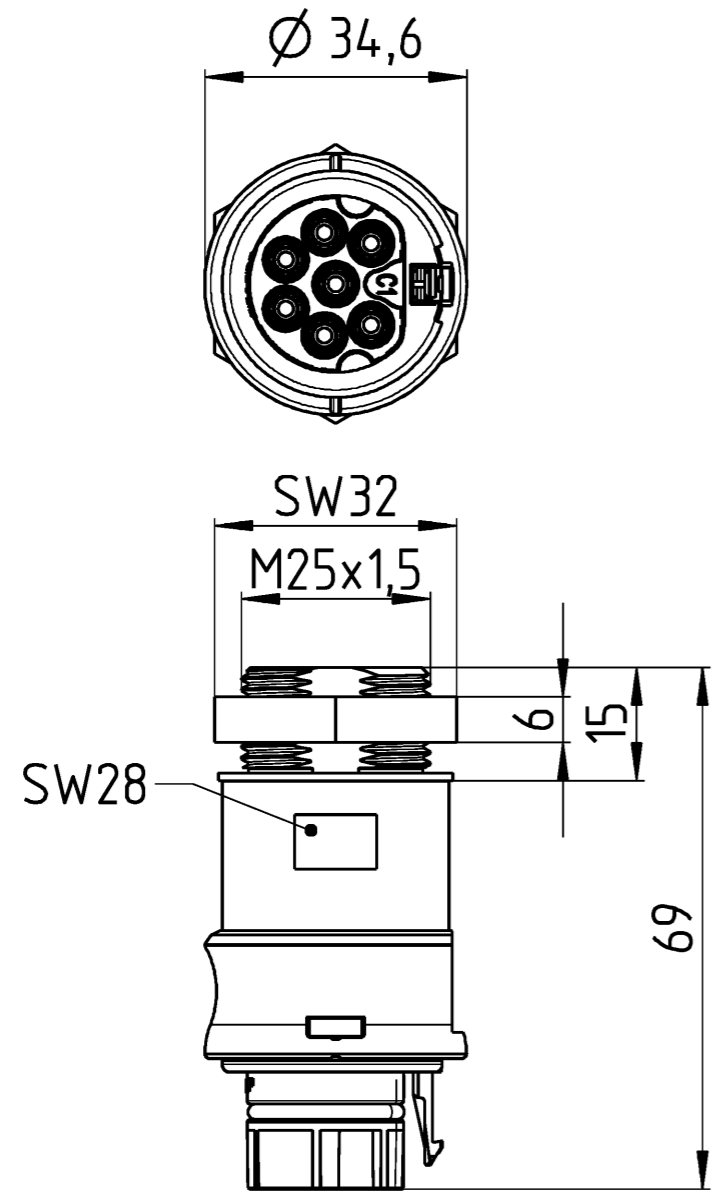
ECLASS 8.1	27440602
ETIM 7.0	EC002566
ETIM 6.0	EC002566
ETIM 5.0	EC002566
ETIM 4.0	EC002566

A
Weitergabe sowie Vervielfältigung dieses Dokuments, Verwertung und Mitteilung seines Inhalts sind verboten, soweit nicht ausdrücklich gestattet. The reproduction, distribution and utilization of this document as well as the communication of its contents to others without express authorization is prohibited.

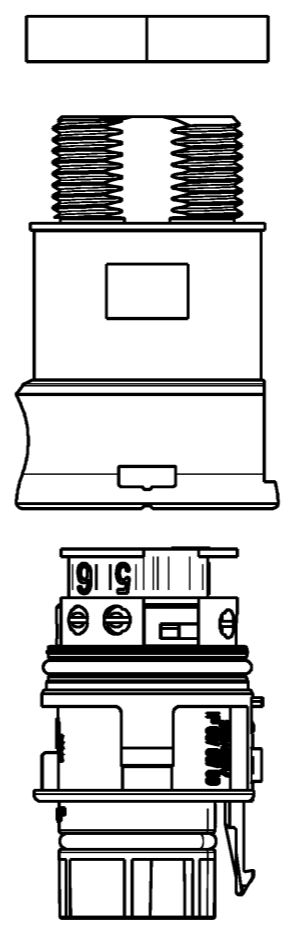
B
These dimensions will be especially checked at delivery
Only inspection dimensions
With /E. marked dimensions are only valid for internal use

C
Diese Maße werden bei Abnahme besonders geprüft
Ausschließlich Prüfmaße
Mit /E. gekennzeichnete Maße sind nur für interne Zwecke gültig

F

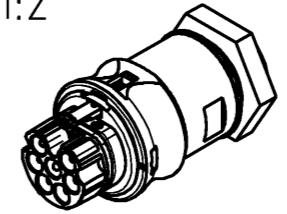


Auslieferungszustand / delivery status



Teile-Nr./ Part no.	Typ/ Type	Kodierung/ coding
96.072.6253.0	RST2017S S1 M01V GL	
96.072.6253.1	RST2017S S1 M01V SW	
9L.072.6253.0	RST2017S 21 M01V GL	
9L.072.6253.1	RST2017S 21 M01V SW	
96.072.6253.9	RST2017S S1 M01V BL07	
9L.072.6253.9	RST2017S 21 M01V BL07	
96.062.6253.6	RST2016S S1 M01V TB04	
9L.062.6253.6	RST2016S 21 M01V TB04	
96.072.6253.6	RST2017S S1 M01V TB04	
9L.072.6253.6	RST2017S 21 M01V TB04	

1:2



● = Pol verschlossen / pole closed

Tolerierung Size ISO 14405 $\text{\textcircled{E}}$ / Tolerance system Size ISO 14405 $\text{\textcircled{E}}$. (This ISO-standard describes the envelope principle. According to the envelope principle the deviations of form and parallelism are limited by the size tolerances).		ja/yes <input checked="" type="checkbox"/> Stoffverbots- und Deklarationsliste nach WN 5020.010 ist einzuhalten. Conformity with Wieland document WN 5020.010 e (list of prohibited / declarable hazardous substances) to be declared!	
Freitoleranz nach General tolerance	CAD - Zeichnung, keine manuellen Änderungen CAD - drawing, no manual modifications allowed	1. Verwendung: First Use:	Blatt: Sheet: 1 von 1 of 1
/	Werkstoff / Material	Tag/Date	Name
/		gezeichnet drawn 16.11.2017	Hollet
/	Maßstab / Scale	geprüft checked	
/	1:1	Normgepr. Stand. check	
/	Vol. mm ³ Dfl./Srf. mm ²	Ersatz für / Replacement for:	
a	14.05.2018 / Datum / Blatt Date / Sheet	Type	Benennung/Title
Index		RST201	ST_SCHRAUB
Änderung / Revision		ohne Drahtschutz male, screw connection without wire protection	
www.wieland-electric.com			