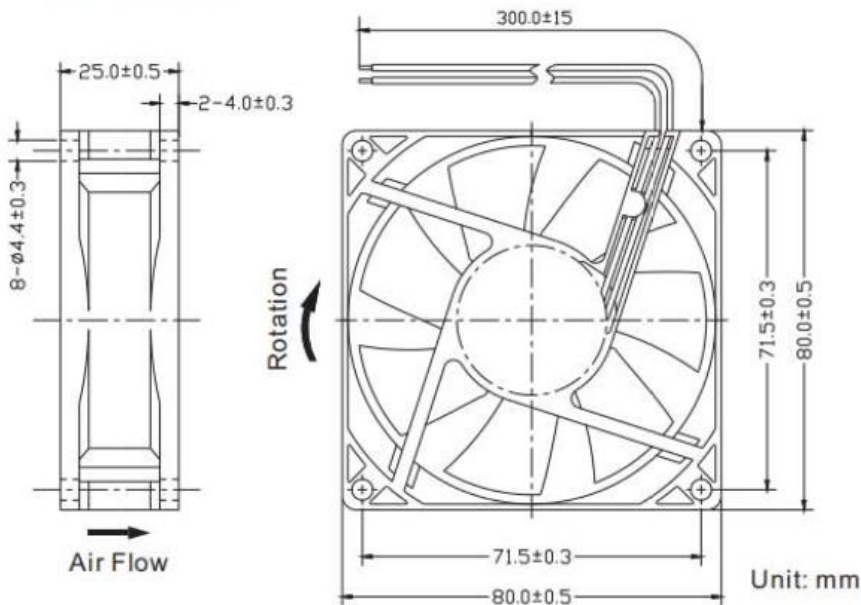


DIMENSIONS

PRODUCT SPECIFICATION

Sample size

Project		Specifications / conditions	Remarks
1	Model	JF8025D24HB	
2	Shape size	80*80*25MM	
3	Rated voltage	DC 24V	
4	Voltage range	DC 22~25V	
5	Frequency		NO
6	Rated current	0.14~0.16A	
7	Rated power	3.0W	
8	Speed	3200RPM	Rated voltage
9	Maximum wind volume	25CFM±10%	Rated voltage
10	Maximum wind pressure	0,178 Inch/H2O±10%	Rated voltage
11	Noise	34,1 dBA	Rated voltage
12	Weight	83g	

Electrical specifications

Project		Specifications / conditions	Remarks
1	Dielectric strength	1500V/0.5mA/2s	
2	Insulation impedance	100 Meg Ohm Min. at 500VDC	
3	Type of motor protection	Impedance Protected	
4	Operation temperature rise	$\Delta T \leq 27K$	
5	Locked Rotor Protection	$\Delta T \leq 130K$	

Environment condition

Project		Specifications / Conditions	Remarks
1	Working temperature	-20°C ~ 70°C	
2	Working humidity	10% ~ 85%RH	
3	Life	40000H	At 40°C