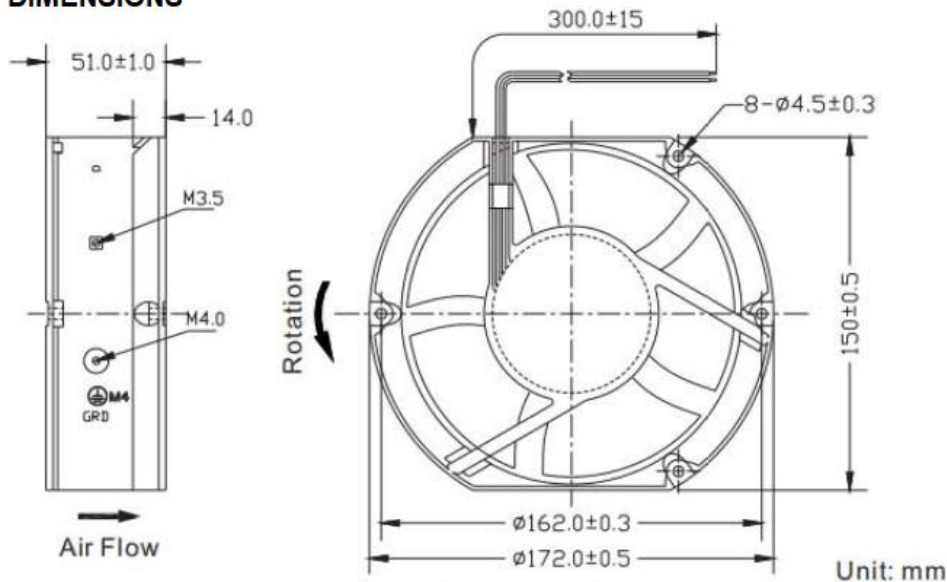


DIMENSIONS



PRODUCT SPECIFICATION

Sample size

Project		Specifications / conditions	Remarks
1	Model	JF17251A2HB	
2	Shape size	172*150*51MM	
3	Rated voltage	AC 220V	
4	Voltage range	AC 200~235V	
5	Frequency	50~60Hz	
6	Rated current	0.25~0.29A	
7	Rated power	53W	
8	Speed	2700RPM	Rated voltage
9	Maximum wind volume	155CFM±10%	Rated voltage
10	Maximum wind pressure	1.53Inch/H2O±10%	Rated voltage
11	Noise	45 dBa	Rated voltage
12	Weight	1100g	

Electrical specifications

Project		Specifications / conditions	Remarks
1	Dielectric strength	1500V/0.5mA/2s	
2	Insulation impedance	100 Meg Ohm Min. at 500VDC	
3	Type of motor protection	Impedance Protected	
4	Operation temperature rise	$\Delta T \leq 70K$	
5	Locked Rotor Protection	$\Delta T \leq 130K$	

Environment condition

Project		Specifications / Conditions	Remarks
1	Working temperature	-20°C~70°C	
2	Working humidity	10%~85%RH	
3	Life	40000H	At 40°C