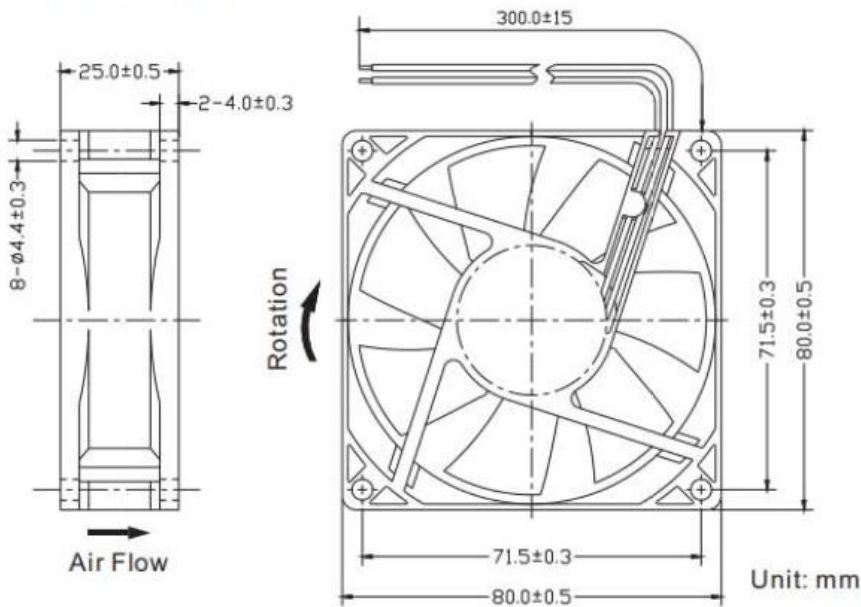


DIMENSIONS



PRODUCT SPECIFICATION

Sample size

Project		Specifications / conditions	Remarks
1	Model	JF8025D12HB	
2	Shape size	80*80*25MM	
3	Rated voltage	DC 12V	
4	Voltage range	DC 10~13V	
5	Frequency		NO
6	Rated current	0.21~0.23A	
7	Rated power	2.7W	
8	Speed	3200RPM	Rated voltage
9	Maximum wind volume	6.30CFM±10%	Rated voltage
10	Maximum wind pressure	3,56 mm/H2O±10%	Rated voltage
11	Noise	28,45 dBa	Rated voltage
12	Weight	75g	

Electrical specifications

Project		Specifications / conditions	Remarks
1	Dielectric strength	1500V/0.5mA/2s	
2	Insulation impedance	100 Meg Ohm Min. at 500VDC	
3	Type of motor protection	Impedance Protected	
4	Operation temperature rise	ΔT≤27K	
5	Locked Rotor Protection	ΔT≤130K	

Environment condition

Project		Specifications / Conditions	Remarks
1	Working temperature	-20°C~70°C	
2	Working humidity	10%~85%RH	
3	Life	40000H	At 40°C