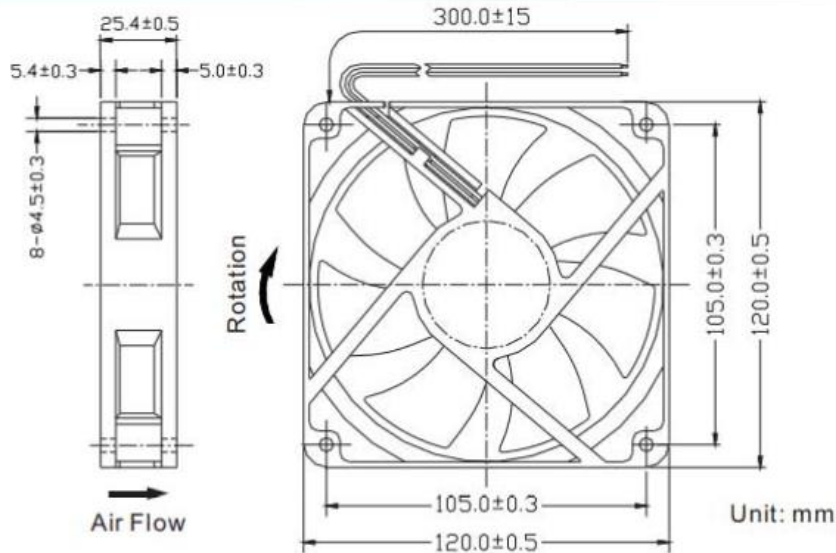


**DIMENSIONS**

**PRODUCT SPECIFICATION**

Sample size

Project		Specifications / conditions	Remarks
1	Mode	JF12025D24HB	
2	Shape size	120*120*25MM	
3	Rated voltage	DC 24V	
4	Voltage range	DC 22~25V	
5	Frequency		NO
6	Rated current	0.17~0.20A	
7	Rated power	4.7W	
8	Speed	2200RPM	Rated voltage
9	Maximum wind volume	24CFM±10%	Rated voltage
10	Maximum wind pressure	0,136Inch/H2O±10%	Rated voltage
11	Noise	40 dBa	Rated voltage
12	Weight	170g	

**Electrical specifications**

Project		Specifications / conditions	Remarks
1	Dielectric strength	1500V/0.5mA/2s	
2	Insulation impedance	100 Meg Ohm Min. at 500VDC	
3	Type of motor protection	Impedance Protected	
4	Operation temperature rise	$\Delta T \leq 27K$	
5	Locked Rotor Protection	$\Delta T \leq 130K$	

**Environment condition**

Project		Specifications / Conditions	Remarks
1	Working temperature	-20°C ~70°C	
2	Working humidity	10%~85%RH	
3	Life	40000H	At 40°C