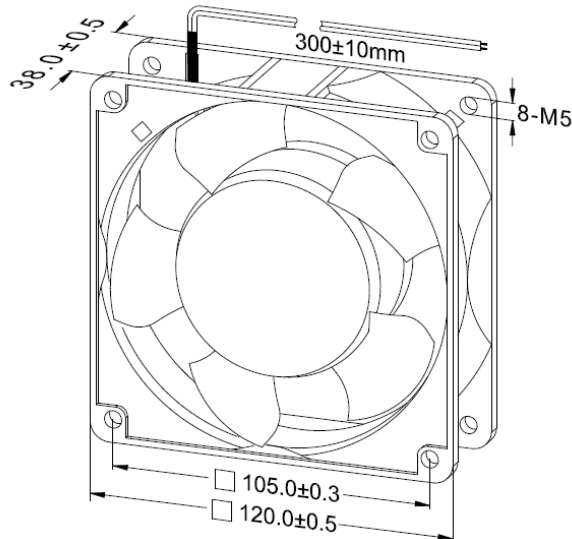


DIMENSIONS


Item		Specification/Condition	
1	Model	F12038A1/2HBL	
2	Shape size	120*120*38MM	
3	Rated voltage	AC 110V/AC 220V	
4	Voltage range	AC110~120V /AC 200~230V	
5	Frequency	50~60Hz	
6	Rated current	0.20~0.24A (110V) 0.12~0.14A (220V)	25°C 60~80%RH
7	Rated power	16~26W	25°C 60~80%RH
8	Speed	2600/2800RPM ± 10%	25°C 60~80%RH
9	Max. Air flow	110/130CFM ± 10%	25°C 60~80%RH
10	Max. Static Pressure	0.31/0.38Inch-H ₂ O	Rated Current
11	Noise	38/42dB(A)	
12	Weight	460g	

Electrical Specification

Item		Specification/Condition	
1	Dielectric strength	1500V/0.5mA/2s 1500V /2 0.5mA	
2	Insulation impedance	100 Meg Ohm Min. at 500VDC 500VDC /1 100MΩ	
3	Motor Protection	Impedance Protected	
4	Temperature Test of Run	ΔT ≤ 70K Rated Voltage	
5	Locked Rotor Protection	ΔT ≤ 130K Rated Voltage	

Environment condition

Item		Specification/Condition	
1	Storage Temp.Range	Temperature : -30°C~85°C Humidity : 20%~85%RH	
2	Operating Temp.Range	Temperature : -20°C~70°C Humidity : 30%~75%RH	
3	Life Expectancy	50000H At40°C	