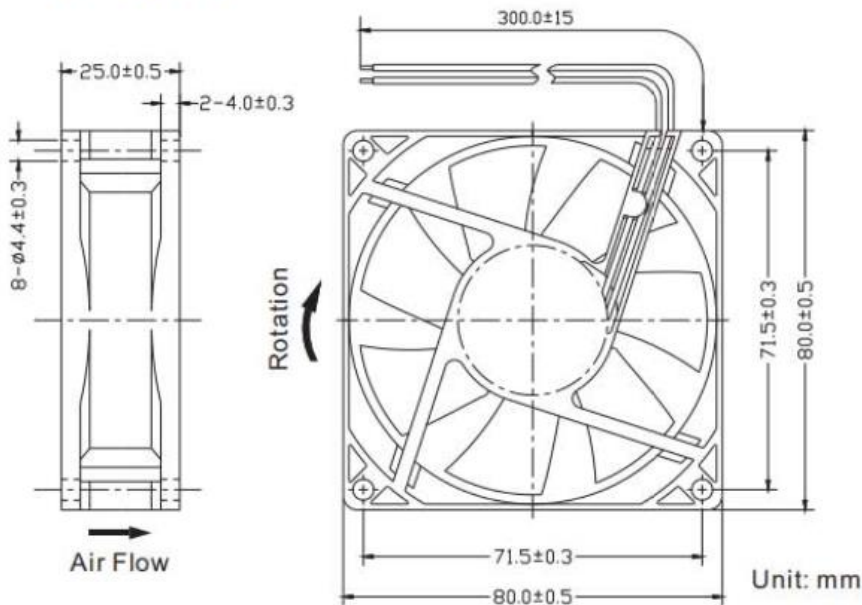


DIMENSIONS

SPECIFICATIONS

1	Rated Voltage	12 V DC
2	Operating Voltage Range	10.5-13.5 V DC
3	Starting Voltage	7.5 V DC
4	Rated Speed	3200 RPM $\pm 10\%$
5	Air Flow	39 CFM
6	Static Pressure	4.5 mmH ₂ O
7	Rated Current	0.18Amp
8	Input Power	2.16Watts
9	Noise Level	33.5dB(A)
10	Direction of Rotation	Counter-Clockwise
11	Motor Protection	Impedance Protected
12	Operation Temperature	-20°C-80°C
13	Operation Humidity	20%-80%
14	Bearing System	Sleeve Bearing
15	Life at 25°C	30000hours
16	Weight	75g
17	Approvals	CE

MATERIALS

1	Frame Thermoplastic	PBT
2	Blade Thermoplastic	PBT
3	Lead Wire	24AWG