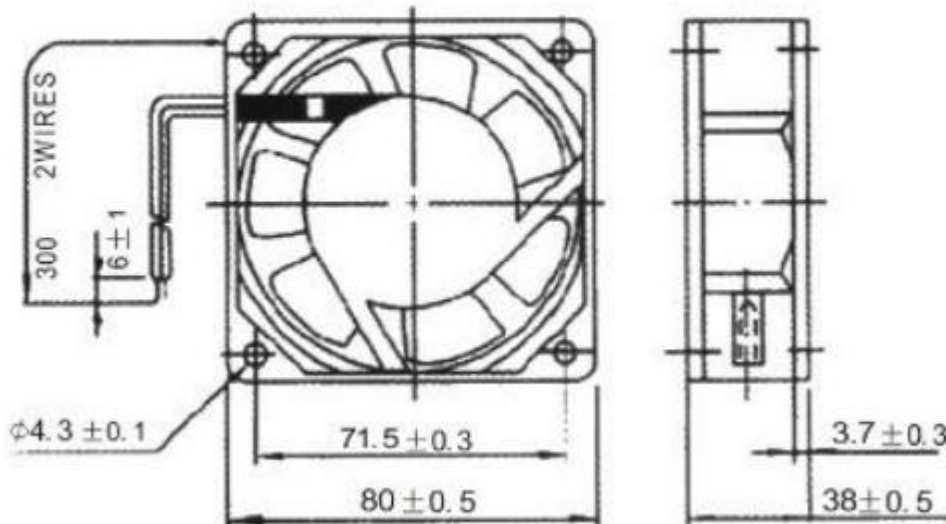


Descritivo Técnico



PRODUCT SPECIFICATION

Sample size

Project		Specifications / conditions	Remarks
1	Model	F8038A1/2HSL	
2	Shape size	80*80*38 MM	
3	Rated voltage	110 / 220 V	
4	Rated current	0,10 / 0,06 A	
5	Rated power	7 / 10 W	
6	Speed	3050 / 2550 RPM	Rated voltage
7	Maximum wind pressure	0,21 / 0,16 Inch/H ₂ O	Rated voltage
8	Frequency	50 / 60 Hz	