

Specification for LED Product - 5A04UC08

1.SPECIFICATIONS

(1).Absolute Maximum Rating

(Ta=25°C)

Item	Symbol	Absolute Maximum Rating	Unit
Forward Current	IF	20	mA
Peak Forward Current	IFP	160	mA
Reverse Voltage	VR	5	V
Power Dissipation	PD	100	mw
Electrostatic Discharge	ESD	2000	V
Operating Temperature	TOP	-40~80°C	°C
Storage Temperature	TSTG	-40~100°C	°C
Lead Soldering Temperature	TSOL	260°C FOR 5 SECONDS	

IFP Conditions: pulse Width ≤ 10msec and duty ≤ 1/10

(2).Initial Electrical/Optical Characteristics

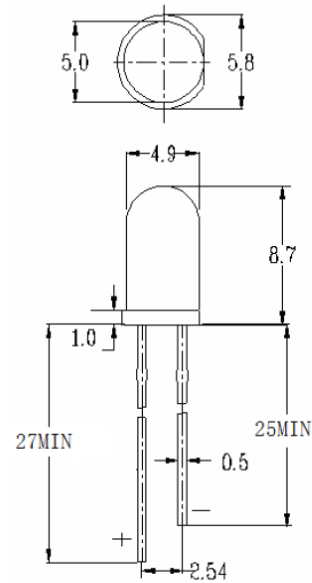
(Ta=25°C)

(2).Initial Electrical/Optical Characteristics

(Ta=25°C)

Item	Symbol	Condition	Min	Typ	Max	Unit
Forward Voltage	VF	IF=20mA	1.8	2.1	2.4	V
Reverse Current	IR	VR=5V	/	/	15	uA
Viewing Angle	2θ1/2	IF=20mA	/	30		deg
Luminous Intensity	IV	IF=20mA	2000		3000	mcd
Peak Wavelength	λp	IF=20mA	592	594	596	nm
Dominant Wavelength	λp	IF=20mA	594	596	598	nm
Recommend Forward Current	IF(Rec)	/	/	20	/	mA

Dimensions (mm)



Part Number	Chip		Lens Color
	Material	Emitting Color	
5A04UC08	InGaAlP	YELLOW	White Clear

NOTES:

1) All dimensions are millimeters.
Tolerance is ± 0.25mm unless otherwise noted.