

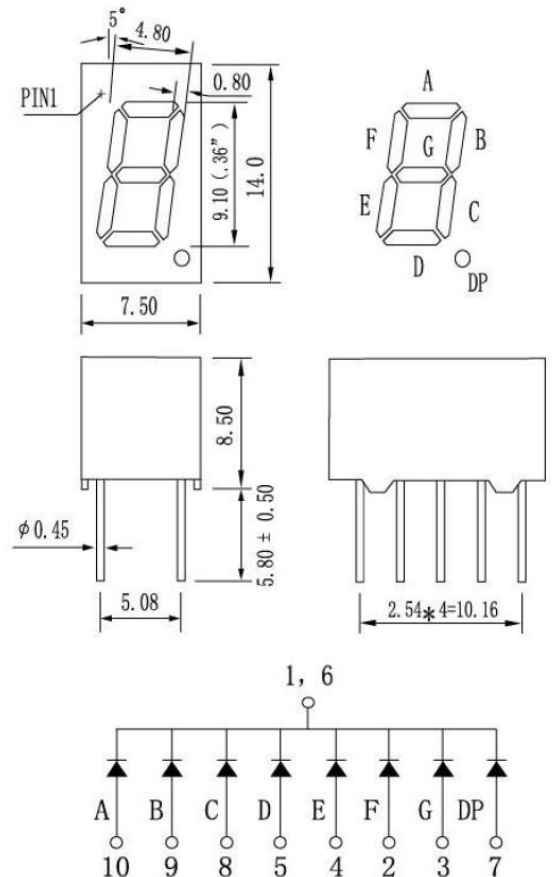
## Specification for LED Product – SM420361N

### ■ ABSOLUTE MAXIMUM RATINGS AT Ta=25°C:

PARAMETER	SYMBOL	RED	UNIT
Power Dissipation Per Segment	PAD	50	mw
Reverse Voltage Per Segment	VR	5	V
Continuous Forward Current Per Segment	IAF	20	mA
Peak Forward Current Per Segment(Duty-0.1,1KHz)	IPF	60	mA
Operating Temperature Range	TOPr	-20°C to 80°C	
Storage Temperature Range	Tstg	-30°C to 85°C	
Lead Soldering Temperature 260°C at 1.6mm From Body for 3 second			

### ■ ELECTRICAL/OPTICAL CHARACTERISTICS AT Ta=25°C:

PARAMETER	SYMBOL	TEST CONDITION	Color	MIN	TYP	MAX	UNIT
Forward Voltage ,Per Segment	VF	IF=20mA	RED	1.9	2	2.5	V
Reverse Current , Per Segment	IR	VR=5V	RED			50	µA
Peak Emission Wavelength	λp	IF=20mA	RED	630	633	637	nm
Luminous Intensity Per Segment	IV	IF=20mA	RED	23	25	28	mcd



### ■ FEATURES:

- High intensity and reliability
- High quality, Low power requirement and low cost
- IC compatible , Easy assembly
- Meet RoHS EU Directive
- ESD 2000V (HMB)

### ■ DESCRIPTION:

- 0.36 Inch Single Digits Display
  - Common Cathode
  - Black face, white segment
  - Lighting
- Color: RED