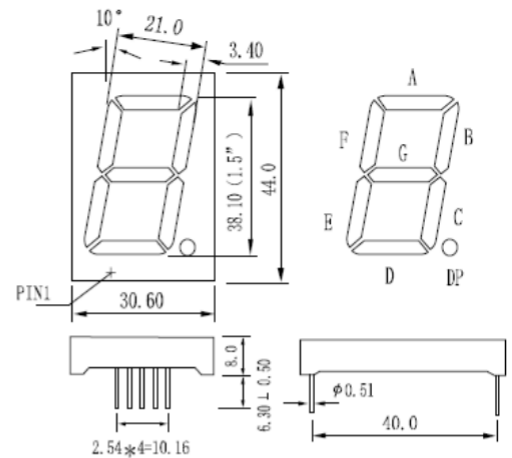


Specification for LED Product – F15011BH

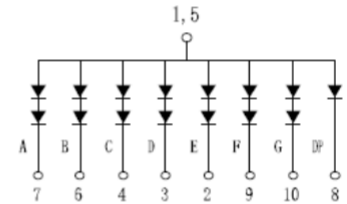
■ ABSOLUTE MAXIMUM RATINGS AT T_a=25°C:

PARAMETER	SYMBOL	RED	UNIT
Power Dissipation Per Segment	PAD	50	mw
Reverse Voltage Per Segment	VR	5	V
Continuous Forward Current Per Segment	IAF	20	mA
Peak Forward Current Per Segment(Duty-0.1,1KHz)	IPF	60	mA
Operating Temperature Range	TOPr	-20°C to 80°C	
Storage Temperature Range	Tstg	-30°C to 85°C	
Lead Soldering Temperature 260°C at 1.6mm From Body for 3 second			



■ ELECTRICAL/OPTICAL CHARACTERISTICS AT Ta=25°C:

PARAMETER	SYMBOL	TEST CONDITION	Color	MIN	TYP	MAX	UNIT
Forward Voltage ,Per Segment	VF	IF=20mA	RED	3.8	4	5	V
				1.9	2	2.5	
Reverse Current , Per Segment	IR	VR=5V	RED			50	µA
Peak Emission Wavelength	λp	IF=20mA	RED	630	633	637	nm
Luminous Intensity Per Segment	IV	IF=20mA	RED	23	25	28	mcd



NOTES : 1. All dimensions are in millimeters. (inches)

2. Tolerance is $\pm 0.25(0.010")$ unless otherwise specified.

■ FEATURES:

- High intensity and reliability
- High quality, Low power requirement and low cost
- IC compatible , Easy assembly
- Meet RoHS EU Directive
- ESD 2000V

■ DESCRIPTION:

- 1.5 Inch Single Digits Display
- Common Anode
- Black face, white segment
- Luminous Color: RED