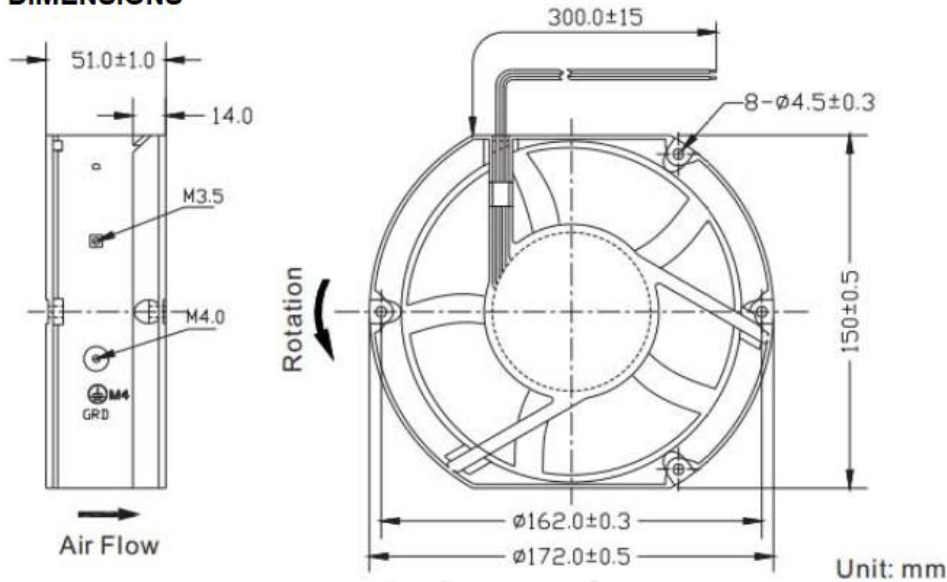


DIMENSIONS



SPECIFICATIONS

1	Rated Voltage	24 V DC
2	Operating Voltage Range	20-27.5 V DC
3	Starting Voltage	15 V DC
4	Rated Speed	3200 RPM±10%
5	Air Flow	210 CFM
6	Static Pressure	5.6mmH ₂ O
7	Rated Current	0.7Amp
8	Input Power	6.52Watts
9	Noise Level	55 dB(A)
10	Direction of Rotation	Counter-Clockwise
11	Motor Protection	Impedance Protected
12	Operation Temperature	-20°C-80°C
13	Operation Humidity	20%-80%
14	Bearing System	Ball Bearing
15	Life at 25°C	50000hours
16	Weight	735g
17	Approvals	CE

MATERIALS

1	Frame Thermoplastic	PBT
2	Blade Thermoplastic	PBT
3	Lead Wire	24AWG