

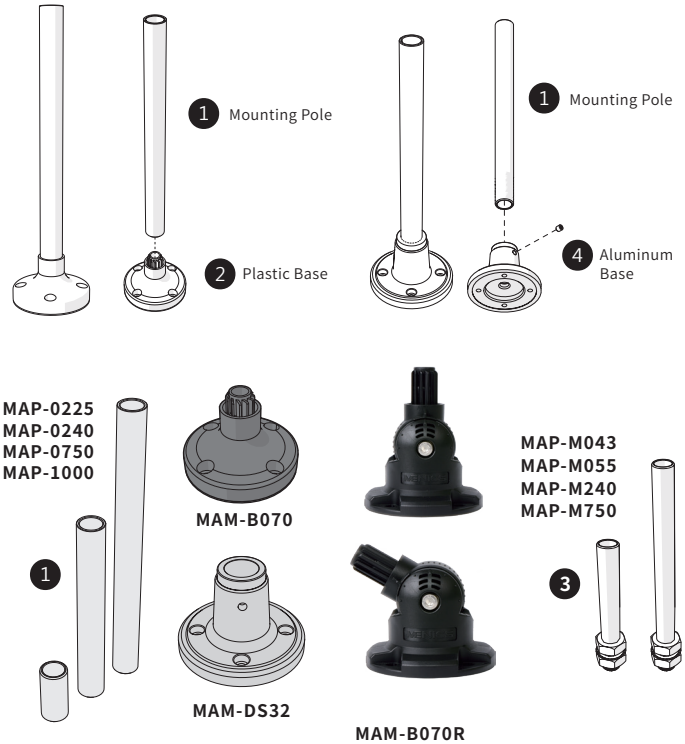
Tower Light Mounting Options

PTE , PTM , PTD , PME , MT5C/8C , MT4B/5B/8B

Pole Mounting with Base

No	Part #	Description
1	MAP-0225	Ø20mm, 8.86 in (Length 225mm) Pole
	MAP-0240	Ø20mm, 9.45 in (Length 240mm) Pole
	MAP-0750	Ø20mm, 29.53 in (Length 750mm) Pole
	MAP-1000	Ø20mm, 39.37 in (Length 1000mm) Pole
2	MAM-B070	Ø70mm Plastic Base With Water-Proof Rubber Gasket
	MAM-B070R	Ø70mm Plastic Base With 180° Rotating Pole Base
3	MAP-M043	Ø20mm, 1.69 in (Length 43mm) Pole Threaded pole With 2 Nut (M20 x 1.5Pitch)
	MAP-M055	Ø20mm, 2.17 in (Length 55mm) Pole Threaded pole With 2 Nut (M20 x 1.5Pitch)
	MAP-M240	Ø20mm, 9.45 in (Length 240mm) Pole Threaded pole With 2 Nut (M20 x 1.5Pitch)
	MAP-M750	Ø20mm, 29.53 in (Length 750mm) Pole Threaded pole With 2 Nut (M20 x 1.5Pitch)
4	MAM-DS32	Ø20mm Aluminum pole mount base - Die Casting

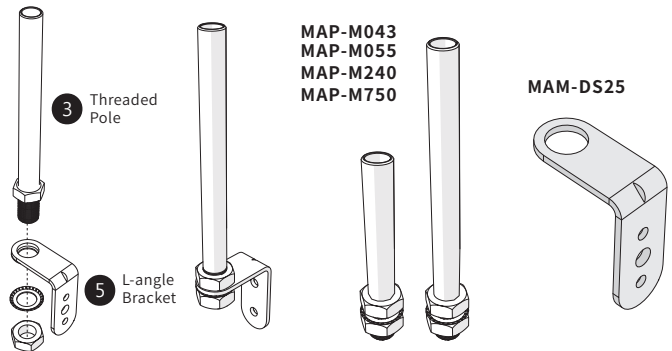
* Aluminum Pole Length Options



L-angle Mounting with Bracket

No	Part #	Description
3	MAP-M043	Ø20mm, 1.69 in (Length 43mm) Pole Threaded pole With 2 Nut
	MAP-M240	Ø20mm, 9.45 in (Length 240mm) Pole Threaded pole With 2 Nut
	MAP-M750	Ø20mm, 29.53 in (Length 750mm) Pole Threaded pole With 2 Nut
5	MAM-DS25	L-angle Bracket

* Aluminum Pole Length Options



L-angle Mounting with Bracket

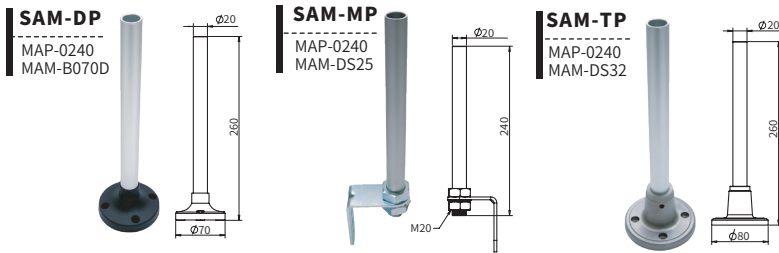


Accessories Parts

Ordering information and Dimensions (UNIT : mm)

Semi-assembled pole mounting base

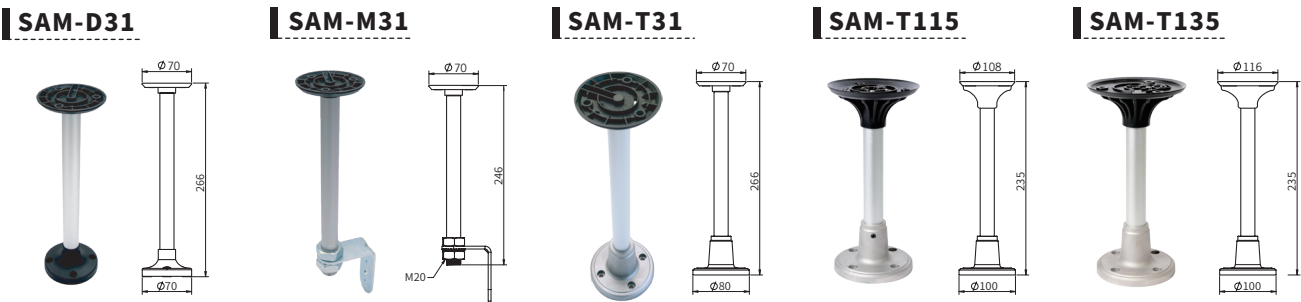
PTE, PTM, PTD, PME, MT4, MT5 series



MS86 series dedicated part

MS115 series

MS135 series



Wall Mounting Bracket

