



Mounting clamp

Part no. M22-A
Catalog No. 216374
Alternate Catalog No. M22-AQ
EL-Nummer (Norway) 4355362



Delivery program

Basic function accessories			Mounting adaptor						
Function			Mounting clamp (front mounting) for 3-contact LED elements						
Description			for 1 function element M22-SWD-K... or LED element M22-SWD-LED... in addition 1 or 2 contact elements M22-K.. possible Sequence numbers on fixing adapter						
Fixing			Front fixing						
Connection to SmartWire-DT			yes						
For use with			M22-SWD-K... M22-SWD-LED...						
For use with			Contact elements M22-(C)K... LED elements M22-(C)LED...						
Configuration			<table border="1" style="display: inline-table;"> <tr> <td style="text-align: center;">1 /</td> <td style="text-align: center;">3 /</td> <td style="text-align: center;">2 /</td> </tr> <tr> <td style="text-align: center;">4</td> <td style="text-align: center;">6</td> <td style="text-align: center;">5</td> </tr> </table>	1 /	3 /	2 /	4	6	5
1 /	3 /	2 /							
4	6	5							

Technical data

General

Climatic proofing			Damp heat, constant, to IEC 60068-2-78 Damp heat, cyclic, to IEC 60068-2-30
Ambient temperature			
Open		°C	-25 - +70

Design verification as per IEC/EN 61439

Technical data for design verification			
Rated operational current for specified heat dissipation	I _n	A	0
Heat dissipation per pole, current-dependent	P _{vid}	W	0
Equipment heat dissipation, current-dependent	P _{vid}	W	0
Static heat dissipation, non-current-dependent	P _{vs}	W	0
Heat dissipation capacity	P _{diss}	W	0
Operating ambient temperature min.		°C	-25
Operating ambient temperature max.		°C	70
IEC/EN 61439 design verification			
10.2 Strength of materials and parts			
10.2.2 Corrosion resistance			Meets the product standard's requirements.
10.2.3.1 Verification of thermal stability of enclosures			Meets the product standard's requirements.
10.2.3.2 Verification of resistance of insulating materials to normal heat			Meets the product standard's requirements.
10.2.3.3 Verification of resistance of insulating materials to abnormal heat and fire due to internal electric effects			Meets the product standard's requirements.
10.2.4 Resistance to ultra-violet (UV) radiation			Please enquire
10.2.5 Lifting			Does not apply, since the entire switchgear needs to be evaluated.
10.2.6 Mechanical impact			Does not apply, since the entire switchgear needs to be evaluated.
10.2.7 Inscriptions			Meets the product standard's requirements.
10.3 Degree of protection of ASSEMBLIES			Does not apply, since the entire switchgear needs to be evaluated.
10.4 Clearances and creepage distances			Meets the product standard's requirements.
10.5 Protection against electric shock			Does not apply, since the entire switchgear needs to be evaluated.
10.6 Incorporation of switching devices and components			Does not apply, since the entire switchgear needs to be evaluated.
10.7 Internal electrical circuits and connections			Is the panel builder's responsibility.
10.8 Connections for external conductors			Is the panel builder's responsibility.

10.9 Insulation properties			
10.9.2 Power-frequency electric strength			Is the panel builder's responsibility.
10.9.3 Impulse withstand voltage			Is the panel builder's responsibility.
10.9.4 Testing of enclosures made of insulating material			Is the panel builder's responsibility.
10.10 Temperature rise			Not applicable.
10.11 Short-circuit rating			Is the panel builder's responsibility. The specifications for the switchgear must be observed.
10.12 Electromagnetic compatibility			Is the panel builder's responsibility. The specifications for the switchgear must be observed.
10.13 Mechanical function			The device meets the requirements, provided the information in the instruction leaflet (IL) is observed.

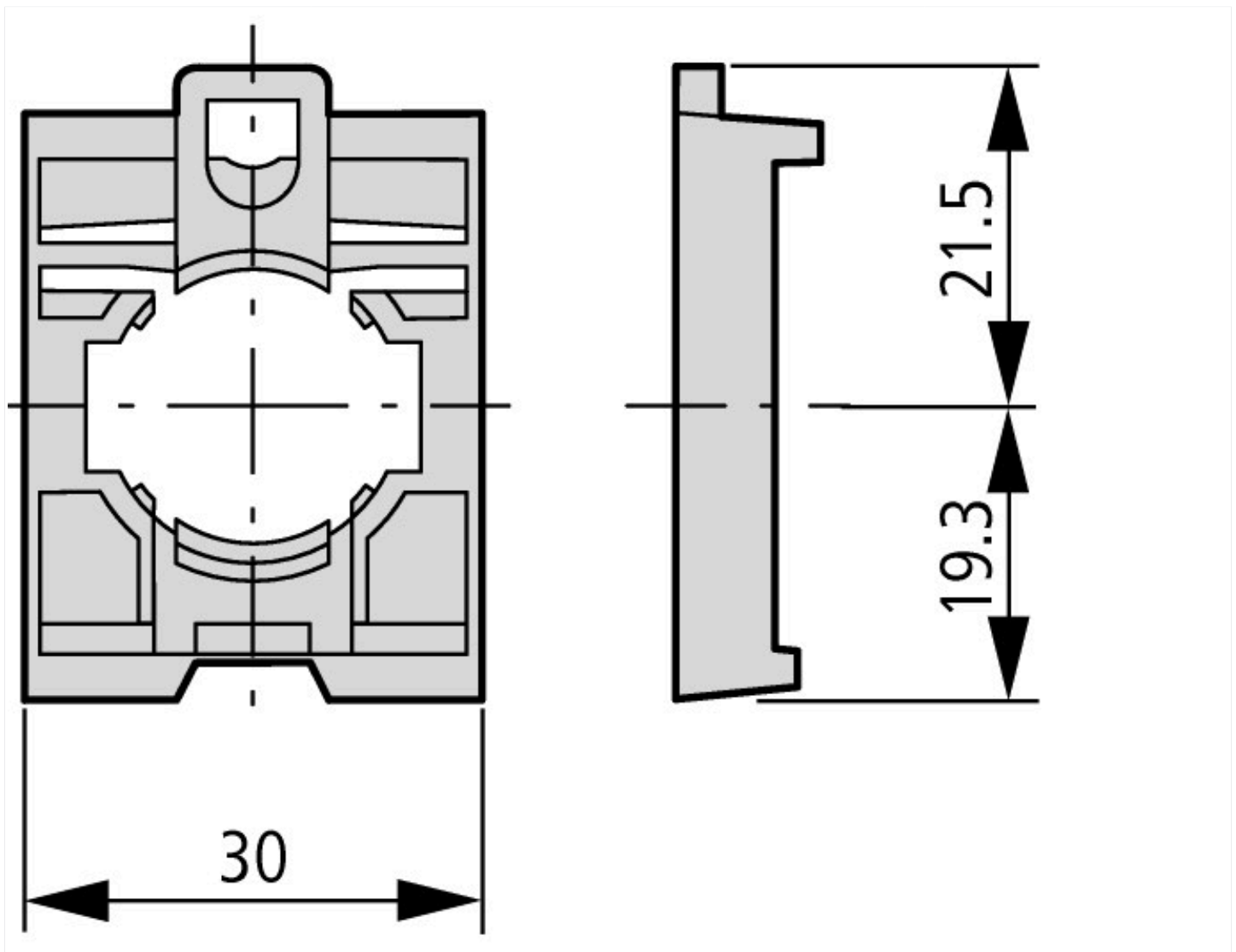
Technical data ETIM 7.0

Low-voltage industrial components (EG000017) / Adapter for control circuit devices (EC001020)			
Electric engineering, automation, process control engineering / Low-voltage switch technology / Command and alarm device / Adapter for command devices (ecl@ss10.0.1-27-37-12-26 [AKF044014])			
Built-in diameter		mm	22
Number of appliances to build in			6

Approvals

Product Standards			IEC/EN 60947-5; UL 508; CSA-C22.2 No. 14-05; CSA-C22.2 No. 94-91; CE marking
UL File No.			E29184
UL Category Control No.			NKCR
CSA File No.			012528
CSA Class No.			3211-03
North America Certification			UL listed, CSA certified

Dimensions



Fixing adapters
Fixing adapter (front mount) for 3-contacts-/LED elements

Additional product information (links)

IL04716002Z (AWA1160-1745) RMQ-Titan System

IL04716002Z (AWA1160-1745) RMQ-Titan System	https://es-assets.eaton.com/DOCUMENTATION/AWA_INSTRUCTIONS/IL04716002Z2020_09.pdf
---	---

MN05006002Z (AWB2723-1617) SmartWire-DT, The system

MN05006002Z (AWB2723-1617) SmartWire-DT, Das System - Deutsch	https://es-assets.eaton.com/DOCUMENTATION/AWB_MANUALS/MN05006002Z_DE.pdf
---	---

MN05006002Z (AWB2723-1617) SmartWire-DT, The system - English	https://es-assets.eaton.com/DOCUMENTATION/AWB_MANUALS/MN05006002Z_EN.pdf
---	---

MN05006002Z (AWB2723-1617) SmartWire-DT, il sistema - italiano	https://es-assets.eaton.com/DOCUMENTATION/AWB_MANUALS/MN05006002Z_IT.pdf
--	---