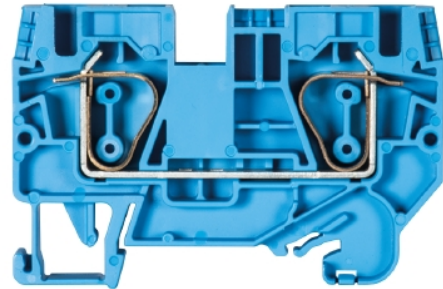


Data sheet

Commercial Art.No.: 56.706.0055.6

Feed-through terminal WKFN 6 / 35 BLAU

Feed-through terminal with tension spring connection for mounting on TS35/ TS 32, nominal cross section: 6 mm², width: 8 mm, color: blue



Commercial Art.No.	56.706.0055.6
EAN	4015573911109
Order Unit	50

Certificates / Approvals



Technical data

General

Nominal cross section	6 mm ²
Color	Blue
Number of levels	1
Number of clamp positions per level	2
Width/grid dimension	8 mm
Insulating housing	PA666
Inflammability class of insulation material acc. with UL94	V0
Explosion-tested version "Ex e"	Yes
Mounting method	DIN rail (top hat rail)/G-rail
Terminal blocks for electrical installations	Yes

Technical data

Rated current	41 A
Rated voltage	800 V
Rated impulse voltage	8 kV
Pollution degree	3
Closing plate required	Yes
Type of insulation material	Thermoplastic
Length	66.4 mm

Connection Data

Connection type 1	Spring clamp connection
-------------------	-------------------------

Connection type 2	Spring clamp connection
Minimum cross section solid	0.2 mm ²
Maximum cross section solid	10 mm ²
Minimum cross section fine stranded	0.2 mm ²
Maximum cross section fine stranded	6 mm ²
Wire strip length	12 mm

Technical Data UL/CSA

Cross section UL	24-8 AWG
Voltage UL	600 V
Current factory wiring	50 A
Current field wiring	50 A
Cross section CSA	24-8 AWG
Voltage CSA	600 V
Current CSA	41 A

Classification

ECLASS 11	
ECLASS 8.1	27141120
ETIM 7.0	EC000897
ETIM 6.0	EC000897
ETIM 5.0	EC000897
ETIM 4.0	EC000897
ETIM 3.0	EC000897

Product compliance

ROHS conformity status	Compliant
REACH-SVHC conformity status	Compliant

Accessories

Commercial Art.No.:	Article-type description:	Description:
Z7.282.5227.0	Insulated jumper bar IVB WKFN 6- 2	INSUL. JUMPER BAR IVB WKFN 6 - 2
Z7.282.5327.0	Insulated jumper bar IVB WKFN 6- 3	INSUL. JUMPER BAR IVB WKFN 6 - 3
Z7.282.5427.0	Insulated jumper bar IVB WKFN 6- 4	INSUL. JUMPER BAR IVB WKFN 6 - 4
Z7.282.5527.0	Insulated jumper bar IVB WKFN 6- 5	INSUL. JUMPER BAR IVB WKFN 6 - 5
98.300.0000.0	Mounting rail TS 35x7,5 UNPERF - l:2000mm	Mounting rail TS 35, unslotted, size 7,5 mm, length 2 m, material steel. galv. zinc-plated and dichromated
98.300.1000.0	Mounting rail TS 35x7,5 PERF 15mm - l:2000mm	Mounting rail TS 35, slotted, size 7,5 mm, length 2 m, material steel. galv. zinc-plated and dichromated
98.300.1900.0	Mounting rail TS 35x7,5 PERF 25mm - l:2000mm	Mounting rail TS 35, slotted, size 7,5 mm, length 2 m, material steel. galv. zinc-plated and dichromated
98.360.0000.0	Mounting rail TS 35x15-2,3 UNPERF - l:2000mm	Mounting rail TS 35, unslotted, size 15 mm, length 2 m, material steel. galv. zinc-plated and dichromated
98.360.0004.0	Mounting rail TS 35x15-2,3 UNPERF FZN - l:2000mm	Mounting rail TS 35, unslotted, size 15 mm, length 2 m, material steel, hot galvanized
98.370.0000.0	Mounting rail TS 35x15 UNPERF - l:2000mm	Mounting rail TS 35, unslotted, size 15 mm, length 2 m, material steel. galv. zinc-plated and dichromated
98.370.1000.0	Mounting rail TS 35x15 PERF 15mm - l:2000mm	Mounting rail TS 35, slotted, size 15 mm, length 2 m, material steel. galv. zinc-plated and dichromated

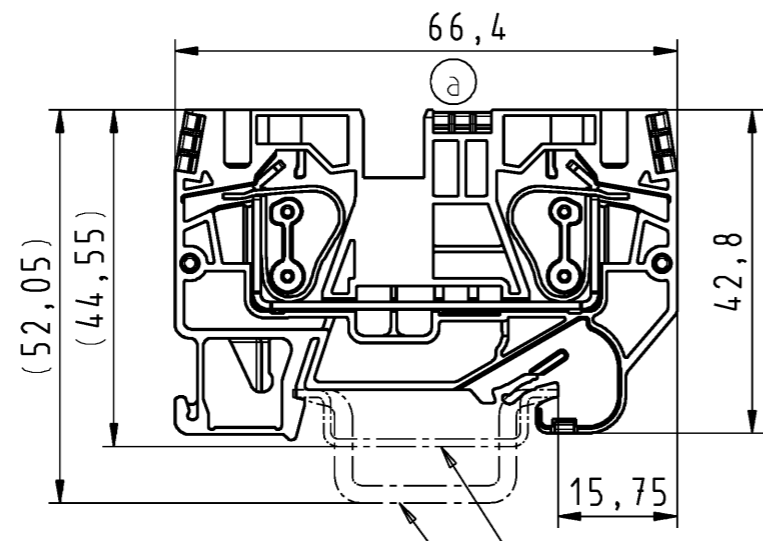
98.380.0000.0	Mounting rail TS 35x15-2,3 UNPERF CU - l:2000mm	Mounting rail TS 35, unslotted, size 15 mm, length 2 m, material E copper
04.343.6253.8	Warning cover ADF 6/4 GELB	Cover with warning symbol for DIN rail terminal blocks type WKF ...
07.313.0455.0	End plate APFN 6/35	End plate for DIN rail terminal blocks type WKFN 6..., color: grey
07.313.0455.6	End plate APFN 6/35 BLAU	End plate for DIN rail terminal blocks type WKFN 6..., color: blue
07.313.0455.7	End plate APFN 6/35 GRUEN	End plate for DIN rail terminal blocks type WKFN 6..., color: green
07.313.0555.0	Partition TWFN 6/35	Partition for DIN rail terminal blocks type WKFN 6..., color: grey
98.300.1800.0	Mounting rail TS 35x7,5 PERF 18mm - l:2000mm	Mounting rail TS 35, slotted, size 7,5 mm, length 2 m, material steel. galv. zinc-plated and dichromated
04.242.8053.0	Marking tag strips 9705 A / 8 / 10	Marking tag strips for DIN rail terminal blocks type 9700 A / 8..., 10 tags per strip, color: blue, unmarked, markable with Wieplot plotter-system

A
 Weitergabe sowie Vervielfältigung dieses Dokuments, Verwertung und Mitteilung seines Inhalts sind verboten, soweit nicht ausdrücklich gestattet. The reproduction, distribution and utilization of this document as well as the communication of its contents to others without express authorization is prohibited.

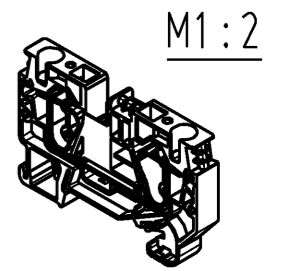
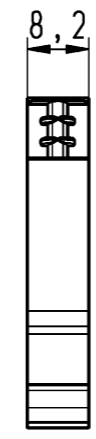
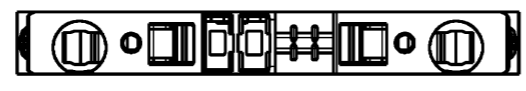
B
 These dimensions will be especially checked at delivery
 Only inspection dimensions
 With /E marked dimensions are only valid for internal use

D
 Diese Maße werden bei Abnahme besonders geprüft
 Ausschließlich Prüfmaße
 Mit /E gekennzeichnete Maße sind nur für interne Zwecke gültig

F



Hutschiene EN 60715-35x7,5
 mounting rail EN 60715-35x7,5
 Hutschiene EN 60715-35x15
 mounting rail EN 60715-35x15



M1:2

Teile-Nr./part no.	Farbe/color	Typ/type
56.706.0055.0	grau/grey	WKFN 6
56.706.0055.3	schiefergrau/slate grey	WKFN 6 GR
56.706.0055.6	blau/blue	WKFN 6 BL
56.706.0055.7	grün/green	WKFN 6 GN

Weitere Daten siehe KATALOG oder eKatalog
 additional data see CATALOG or eCATALOG
www.wieland-electric.com
eshop.wieland-electric.com

Tolerierung Size ISO 14405 (E) / Tolerance system Size ISO 14405 (E). (This ISO-standard describes the envelope principle. According to the envelope principle the deviations of form and parallelism are limited by the size tolerances).		ja/yes <input checked="" type="checkbox"/> Stoffverbots- und Deklarationsliste nach WN 5020.010 ist einzuhalten. Conformity with Wieland document WN 5020.010 e (list of prohibited / declarable hazardous substances) to be declared!	
Freitoleranz nach General tolerance		CAD - Zeichnung, keine manuellen Änderungen CAD - drawing, no manual modifications allowed	
1 Verwendung: First Use:		Blatt: 1 von 1 Sheet: of	
Werkstoff / Material		Tag/Date	Name
Maßstab / Scale		gezeichnet drawn	06.06.2007 Bauer F.
1:1		geprüft checked	
		Normgepr. Stand. check	
c 22.03.2017 / Vol.		Ersatz für / Replacement for:	
b 07.11.2012 /		Type	
a 05.05.2011 /		Benennung/Title	
Index Datum / Blatt Date / Sheet		DURCHGANGSKLEMME	
Änderung / Revision		fasis pro Federkraftanschluß 6mm ² terminal with spring clamp connection	