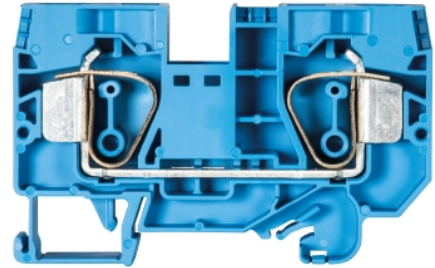


## Data sheet

Commercial Art.No.: 56.716.0055.6

Feed-through terminal WKFN 16/35 BLAU

Feed-through terminal with tension spring connection for mounting on TS35/ TS 32, nominal cross section: 16 mm<sup>2</sup>, width: 12 mm, color: blue



Commercial Art.No.	56.716.0055.6
EAN	4015573906457
Order Unit	50

Certificates / Approvals



## Technical data

### General

Nominal cross section	16 mm <sup>2</sup>
Color	Blue
Number of levels	1
Number of clamp positions per level	2
Width/grid dimension	12 mm
Insulating housing	PA666
Inflammability class of insulation material acc. with UL94	V0
Explosion-tested version "Ex e"	No
Mounting method	DIN rail (top hat rail)/G-rail
Terminal blocks for electrical installations	Yes

### Technical data

Rated current	76 A
Rated voltage	800 V
Rated impulse voltage	8 kV
Pollution degree	3
Closing plate required	Yes
Type of insulation material	Thermoplastic
Length	79.1 mm

### Connection Data

Connection type 1	Spring clamp connection
Connection type 2	Spring clamp connection
Minimum cross section solid	0.2 mm <sup>2</sup>
Maximum cross section solid	10 mm <sup>2</sup>
Minimum cross section fine stranded	0.2 mm <sup>2</sup>
Maximum cross section fine stranded	16 mm <sup>2</sup>

Minimum cross section stranded	16 mm <sup>2</sup>
Maximum cross section stranded	25 mm <sup>2</sup>
Wire strip length	16 mm

#### Technical Data UL/CSA

Cross section UL	16-4 AWG
Voltage UL	600 V
Current factory wiring	85 A
Current field wiring	85 A
Cross section CSA	16-4 AWG
Voltage CSA	600 V
Current CSA	85 A

#### Classification

ECLASS 11	
ECLASS 8.1	27141120
ETIM 7.0	EC000897
ETIM 6.0	EC000897
ETIM 5.0	EC000897
ETIM 4.0	EC000897
ETIM 3.0	EC000897

#### Product compliance

ROHS conformity status	Compliant
REACH-SVHC conformity status	Compliant

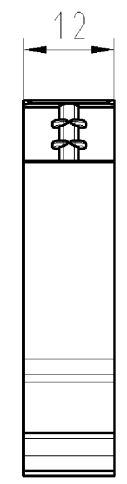
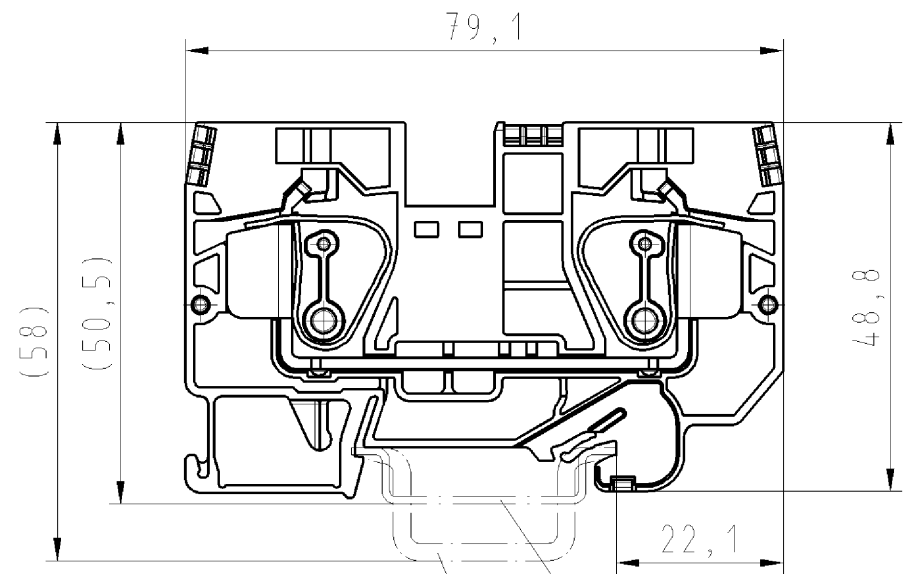
#### Accessories

Commercial Art.No.:	Article-type description:	Description:
Z7.284.4227.0	Jumper bar IVBWKF 16- 2	Cross connector, insulated for DIN rail terminal blocks type WKF..., 2 - pole
98.300.0000.0	Mounting rail TS 35x7,5 UNPERF - l:2000mm	Mounting rail TS 35, unslotted, size 7,5 mm, length 2 m, material steel. galv. zinc-plated and dichromated
98.300.1000.0	Mounting rail TS 35x7,5 PERF 15mm - l:2000mm	Mounting rail TS 35, slotted, size 7,5 mm, length 2 m, material steel. galv. zinc-plated and dichromated
98.300.1900.0	Mounting rail TS 35x7,5 PERF 25mm - l:2000mm	Mounting rail TS 35, slotted, size 7,5 mm, length 2 m, material steel. galv. zinc-plated and dichromated
98.360.0000.0	Mounting rail TS 35x15-2,3 UNPERF - l:2000mm	Mounting rail TS 35, unslotted, size 15 mm, length 2 m, material steel. galv. zinc-plated and dichromated
98.360.0004.0	Mounting rail TS 35x15-2,3 UNPERF FZN - l:2000mm	Mounting rail TS 35, unslotted, size 15 mm, length 2 m, material steel, hot galvanized
98.370.0000.0	Mounting rail TS 35x15 UNPERF - l:2000mm	Mounting rail TS 35, unslotted, size 15 mm, length 2 m, material steel. galv. zinc-plated and dichromated
98.370.1000.0	Mounting rail TS 35x15 PERF 15mm - l:2000mm	Mounting rail TS 35, slotted, size 15 mm, length 2 m, material steel. galv. zinc-plated and dichromated
98.380.0000.0	Mounting rail TS 35x15-2,3 UNPERF CU - l:2000mm	Mounting rail TS 35, unslotted, size 15 mm, length 2 m, material E copper
07.313.1255.0	End plate APFN 16/35	End plate for DIN rail terminal blocks type WKFN 16..., color: grey
07.313.1255.6	End plate APFN 16/35 BLAU	End plate for DIN rail terminal blocks type WKFN 16..., color: blue
07.313.1255.7	End plate APFN 16/35 GRUEN	End plate for DIN rail terminal blocks type WKFN 16..., color: green
07.313.1355.0	Partition TWFN 16/35	Partition for DIN rail terminal blocks type WKFN 16..., color: grey

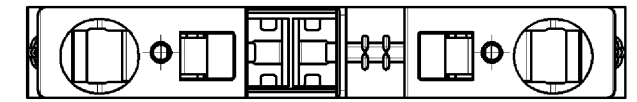
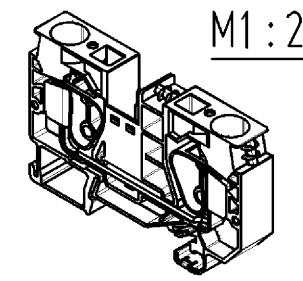
98.300.1800.0	Mounting rail TS 35x7,5 PERF 18mm - l:2000mm	Mounting rail TS 35, slotted, size 7,5 mm, length 2 m, material steel. galv. zinc-plated and dichromated
---------------	--	--

These dimensions will be especially checked at delivery  
Only inspection dimensions  
With /E marked dimensions are only valid for internal use

Diese Maße werden bei Abnahme besonders geprüft  
Ausschließlich Prüfmaße  
Mit /E gekennzeichnete Maße sind nur für interne Zwecke gültig



Hutschiene EN 60715-35x7,5  
mounting rail EN 60715-35x7,5  
Hutschiene EN 60715-35x15  
mounting rail EN 60715-35x15



Weitere Daten siehe Katalog  
further data see catalog

T-Nr. part-no.	Farbe colour	Typ type
56.716.0055.0	grau grey	WKFN 16/35
56.716.0055.6	blau blue	WKFN 16/35 BLAU

Tolerierung nach DIN 7167/Tolerance system acc. to DIN 7167. (This DIN-standard describes the envelope principle. According to the envelope principle the deviations of form and parallelism are limited by the size tolerances).		ja/yes <input checked="" type="checkbox"/> Stoffverbots- und Deklarationsliste nach UU-TQM-05/03 ist einzuhalten. Conformity with Wieland document UU-TQM-05/03 (list of prohibited / declarable hazardous substances) to be declared!	
Freitoleranz nach General tolerance		CAD - Zeichnung, keine manuellen Änderungen CAD - drawing, no manual modifications allowed	1. Verwendung: - First Use:
Blatt: 1 von 1 Sheet: of 1		Zeichnung Nr./Drawing No.	
/		Werkstoff/Material	2007 Tag/Date Name
/		Maßstab/Scale 1:1	gezeichnet drawn 26.06. Bauer F.
/			geprüft checked - -
/			Normgepr. Stand. check - -
/		Vol. mm <sup>3</sup> Öl./Surf. mm <sup>2</sup>	Ersatz für/Replacement for: -
/		 <b>wieland</b> Elektrische Verbindungen	Type
/			Benennung/Title
Index	Datum / Blatt Date / Sheet	<b>DURCHGANGSKLEMME</b> fasis pro Federkraftanschluß 16mm <sup>2</sup> terminal with spring clamp connection	
Änderung/Revision			

Weitergabe sowie Vervielfältigung dieses Dokuments, Verwertung und Mitteilung seines Inhalts sind verboten, soweit nicht ausdrücklich gestattet.  
The reproduction, distribution and utilization of this document as well as the communication of its contents to others without express authorization is prohibited.

567160055001K\_4\_CADW1032\_Bauer 2007-06-27T08:14:31 1:000 QU-PEM-08/91