

Data sheet

Commercial Art.No.: Z5.523.9353.0

End bracket WEF 1/35

End clamp for mounting rail TS 35



Commercial Art.No.	Z5.523.9353.0
EAN	4015573643109
Order Unit	100

Technical data

General

Color	black
Inflammability class of insulation material acc. with UL94	V2
Width/grid dimension	8 mm
Latching	Screw less
Length	52 mm
Material	Plastic
Mounting method	DIN rail (top hat rail) 35/7.5 mm

Accessories

Latching	Screw less
Width/grid dimension	8 mm
Length	52 mm
Material	Plastic
Color	black
Inflammability class of insulation material acc. with UL94	V2
Mounting method	DIN rail (top hat rail) 35/7.5 mm

Classification

ECLASS 11	
ECLASS 8.1	27141135
ETIM 7.0	EC001041
ETIM 6.0	EC001041
ETIM 5.0	EC001041
ETIM 4.0	EC001041
ETIM 3.0	EC001041

Product compliance

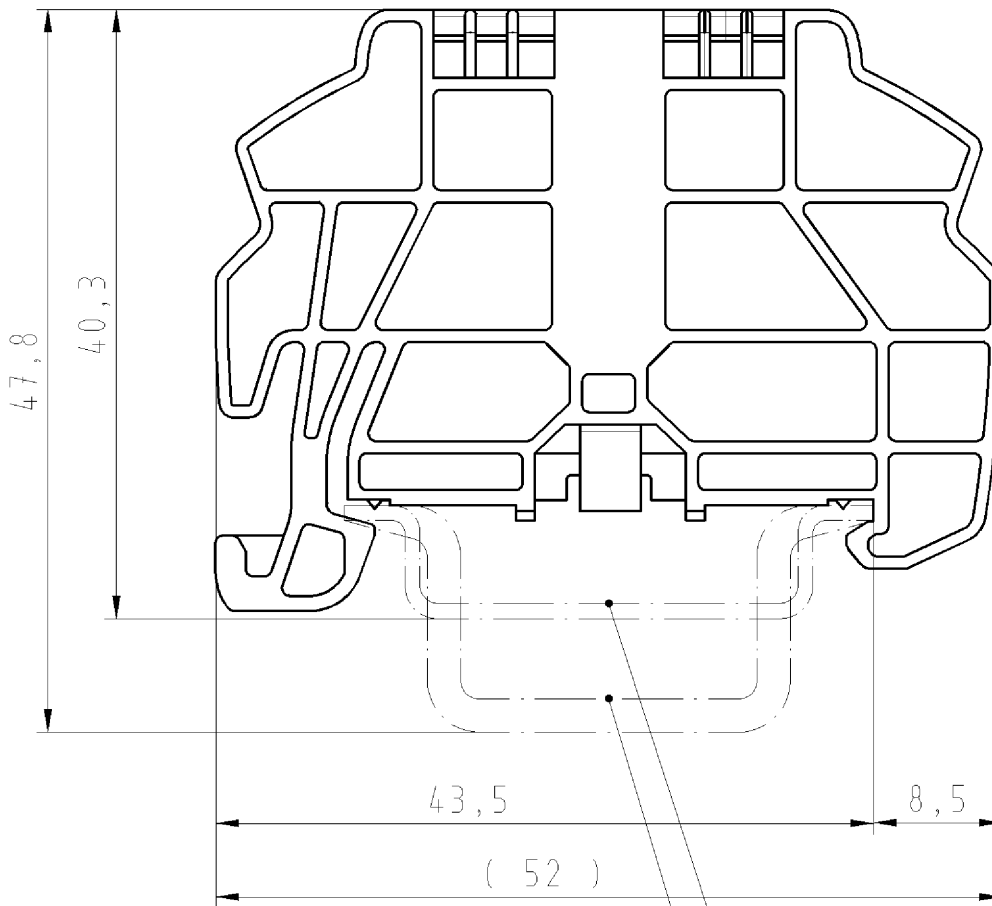
ROHS conformity status	Compliant
------------------------	-----------



REACH-SVHC conformity status	Compliant
------------------------------	-----------

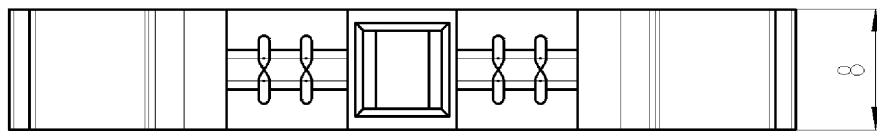
Accessories

Commercial Art.No.:	Article-type description:	Description:
98.300.0000.0	Mounting rail TS 35x7,5 UNPERF - l:2000mm	Mounting rail TS 35, unslotted, size 7,5 mm, length 2 m, material steel. galv. zinc-plated and dichromated
98.300.1000.0	Mounting rail TS 35x7,5 PERF 15mm - l:2000mm	Mounting rail TS 35, slotted, size 7,5 mm, length 2 m, material steel. galv. zinc-plated and dichromated
98.300.1800.0	Mounting rail TS 35x7,5 PERF 18mm - l:2000mm	Mounting rail TS 35, slotted, size 7,5 mm, length 2 m, material steel. galv. zinc-plated and dichromated
98.300.1900.0	Mounting rail TS 35x7,5 PERF 25mm - l:2000mm	Mounting rail TS 35, slotted, size 7,5 mm, length 2 m, material steel. galv. zinc-plated and dichromated
98.360.0000.0	Mounting rail TS 35x15-2,3 UNPERF - l:2000mm	Mounting rail TS 35, unslotted, size 15 mm, length 2 m, material steel. galv. zinc-plated and dichromated
98.360.0004.0	Mounting rail TS 35x15-2,3 UNPERF FZN - l:2000mm	Mounting rail TS 35, unslotted, size 15 mm, length 2 m, material steel, hot galvanized
98.370.0000.0	Mounting rail TS 35x15 UNPERF - l:2000mm	Mounting rail TS 35, unslotted, size 15 mm, length 2 m, material steel. galv. zinc-plated and dichromated
98.370.1000.0	Mounting rail TS 35x15 PERF 15mm - l:2000mm	Mounting rail TS 35, slotted, size 15 mm, length 2 m, material steel. galv. zinc-plated and dichromated
98.380.0000.0	Mounting rail TS 35x15-2,3 UNPERF CU - l:2000mm	Mounting rail TS 35, unslotted, size 15 mm, length 2 m, material E copper
04.242.8053.0	Marking tag strips 9705 A / 8 / 10	Marking tag strips for DIN rail terminal blocks type 9700 A / 8...., 10 tags per strip, color: blue, unmarked, markable with Wieplot plotter-system

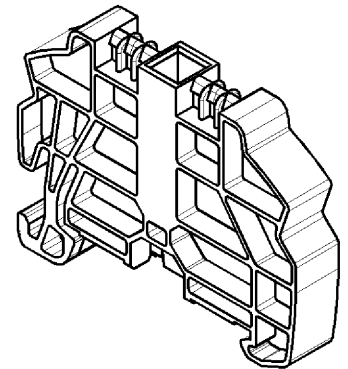


Hutschiene EN 60715-35x7,5
mountail rail EN 60715-35x7,5

Hutschiene EN 60715-35x15
mountail rail EN 60715-35x15



M 1:1



Weitere Daten siehe Katalog
further data see catalog

Weitergabe sowie Vervielfältigung dieses Dokuments, Verwertung und Mitteilung seines Inhalts sind verboten, soweit nicht ausdrücklich gestattet. The reproduction, distribution and utilization of this document as well as the communication of its contents to others without express authorization is prohibited.

- Diese Maße werden bei Abnahme besonders geprüft
- Ausschließlich Prüfmaße
- Mit Z/E gekennzeichnete Maße sind nur für interne Zwecke gültig

Freitoleranz nach DIN -		CAD - Zeichnung, keine manuellen Änderungen			1. Verwendung: -		Bl.: 1 von 1	
	/	Maßstab 2:1	Werkstoff und Oberfläche:	2004	Tag	Name	Zeichnung Nr. Z5.523.9353.0 01K	Index
	/			Entworfen	26.03.	Schmitt J.		
	/			Geprüft	-	-		
	/			Normgepr.	-	-	Ersatz für: -	
Buchstabe	Datum / Blatt	 wieland Elektrische Verbindungen		Benennung				
Änderung				SCHRAUBL_ENDKLAMMER Endclamp without screw				