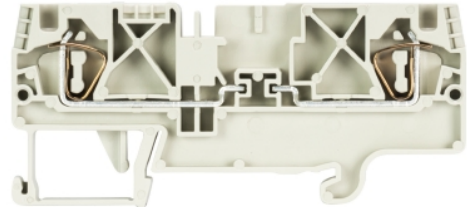


## Data sheet

Commercial Art.No.: 56.704.4055.0

Fuse terminal WKFN 4 TKG/35

Disconnect block with tension spring connection for mounting on TS 35, nominal cross section: 4 mm<sup>2</sup>, width: 6 mm, color: grey



Commercial Art.No.	56.704.4055.0
EAN	4015573935730
Order Unit	100

Certificates / Approvals



## Technical data

### General

Nominal cross section	4 mm <sup>2</sup>
Color	Grey
Number of levels	1
Number of clamp positions per level	2
Width/grid dimension	6 mm
Insulating housing	PA666
Inflammability class of insulation material acc. with UL94	V0
Mounting method	DIN rail (top hat rail) 35/7.5 mm
Terminal blocks for electrical installations	No

### Technical data

Rated voltage	500 V
Rated impulse voltage	8 kV
Pollution degree	3
Closing plate required	Yes
Type of insulation material	Thermoplastic
Length	82.2 mm

### Connection Data

Connection type 1	Spring clamp connection
Connection type 2	Spring clamp connection
Minimum cross section solid	0.13 mm <sup>2</sup>
Maximum cross section solid	6 mm <sup>2</sup>
Minimum cross section fine stranded	0.13 mm <sup>2</sup>
Maximum cross section fine stranded	4 mm <sup>2</sup>
Wire strip length	11 mm

### Note

Remark to rated current	Note fuse insert
-------------------------	------------------

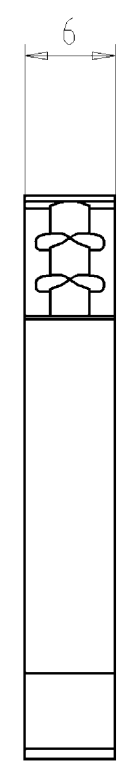
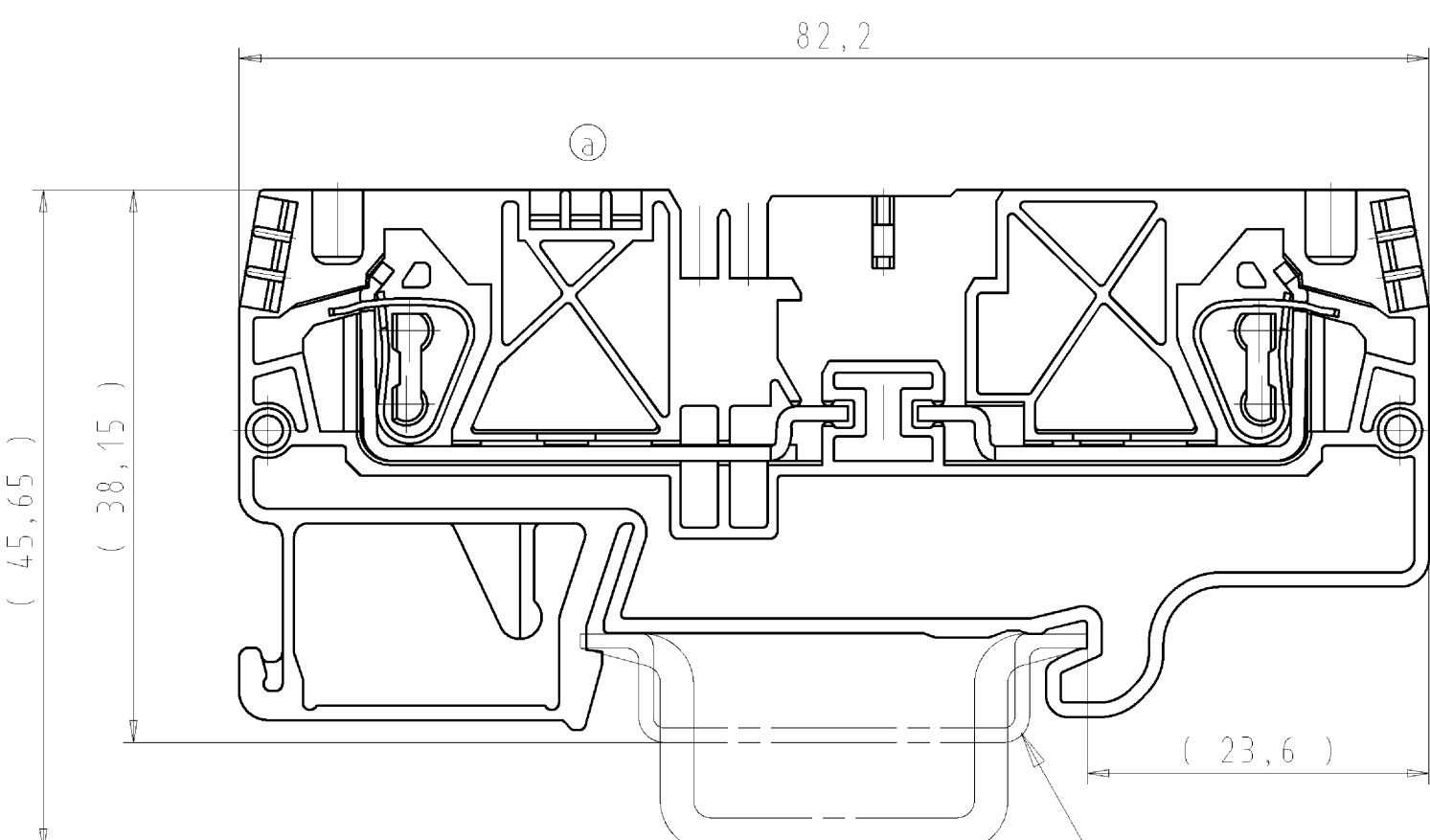
Integrated test socket	No
------------------------	----

**Classification**

ECLASS 11	
ECLASS 8.1	27141126
ETIM 7.0	EC000902
ETIM 6.0	EC000902
ETIM 5.0	EC000902
ETIM 4.0	EC000902
ETIM 3.0	EC000902

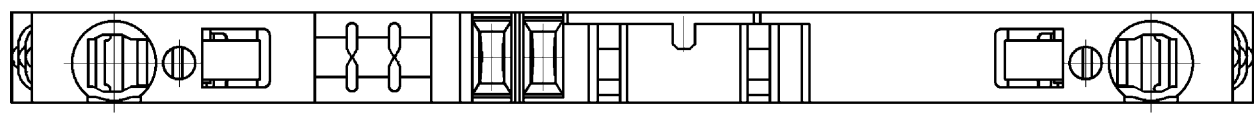
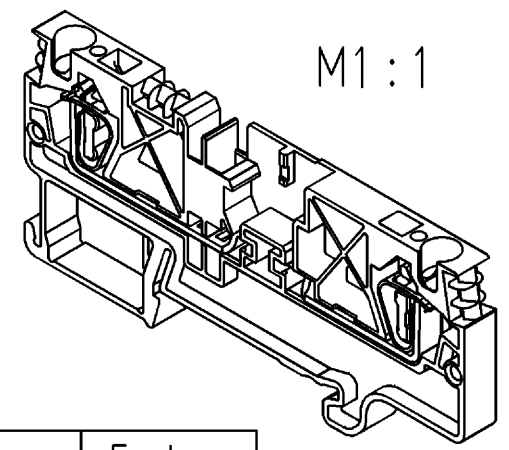
**Accessories**

Commercial Art.No.:	Article-type description:	Description:
Z7.261.1227.0	Jumper bar IVB WKF 4 - 2	Cross connector, insulated for DIN rail terminal blocks type WKF..., 2 - pole
Z7.261.1327.0	Jumper bar IVB WKF 4 - 3	Cross connector, insulated for DIN rail terminal blocks type WKF..., 3 - pole
Z7.261.1427.0	Jumper bar IVB WKF 4 - 4	Cross connector, insulated for DIN rail terminal blocks type WKF..., 4 - pole
Z7.261.1527.0	Jumper bar IVB WKF 4 - 5	Cross connector, insulated for DIN rail terminal blocks type WKF..., 5 - pole
Z7.261.1627.0	Jumper bar IVB WKF 4 - 6	Cross connector, insulated for DIN rail terminal blocks type WKF..., 6 - pole
Z7.261.1727.0	Jumper bar IVB WKF 4 - 7	Cross connector, insulated for DIN rail terminal blocks type WKF..., 7 - pole
Z7.261.1827.0	Jumper bar IVB WKF 4 - 8	Cross connector, insulated for DIN rail terminal blocks type WKF..., 8 - pole
Z7.261.1927.0	Jumper bar IVB WKF 4 - 9	Cross connector, insulated for DIN rail terminal blocks type WKF..., 9 - pole
Z7.261.2027.0	Jumper bar IVB WKF 4 - 10	Cross connector, insulated for DIN rail terminal blocks type WKF..., 10 - pole
98.300.0000.0	Mounting rail TS 35x7,5 UNPERF - l:2000mm	Mounting rail TS 35, unslotted, size 7,5 mm, length 2 m, material steel. galv. zinc-plated and dichromated
98.300.1000.0	Mounting rail TS 35x7,5 PERF 15mm - l:2000mm	Mounting rail TS 35, slotted, size 7,5 mm, length 2 m, material steel. galv. zinc-plated and dichromated
98.300.1900.0	Mounting rail TS 35x7,5 PERF 25mm - l:2000mm	Mounting rail TS 35, slotted, size 7,5 mm, length 2 m, material steel. galv. zinc-plated and dichromated
98.360.0000.0	Mounting rail TS 35x15-2,3 UNPERF - l:2000mm	Mounting rail TS 35, unslotted, size 15 mm, length 2 m, material steel. galv. zinc-plated and dichromated
98.360.0004.0	Mounting rail TS 35x15-2,3 UNPERF FZN - l:2000mm	Mounting rail TS 35, unslotted, size 15 mm, length 2 m, material steel, hot galvanized
98.370.0000.0	Mounting rail TS 35x15 UNPERF - l:2000mm	Mounting rail TS 35, unslotted, size 15 mm, length 2 m, material steel. galv. zinc-plated and dichromated
98.370.1000.0	Mounting rail TS 35x15 PERF 15mm - l:2000mm	Mounting rail TS 35, slotted, size 15 mm, length 2 m, material steel. galv. zinc-plated and dichromated
98.380.0000.0	Mounting rail TS 35x15-2,3 UNPERF CU - l:2000mm	Mounting rail TS 35, unslotted, size 15 mm, length 2 m, material E copper
07.312.9055.0	End plate APFN 4 D2/2	End plate for DIN rail terminal blocks type WKFN 4 D2/2..., color: grey
07.313.1655.0	Intermediate plate ZP/WKFN 4 TKG	Intermediate for DIN rail terminal blocks type WKFN 4 TKG..., color: grey
98.300.1800.0	Mounting rail TS 35x7,5 PERF 18mm - l:2000mm	Mounting rail TS 35, slotted, size 7,5 mm, length 2 m, material steel. galv. zinc-plated and dichromated



Hutschiene EN 60715-35x7,5  
mounting rail EN 60715-35x7,5

Hutschiene EN 60715-35x15  
mounting rail EN 60715-35x15



Teile-Nr. part-no.	Typ type	Farbe colour
56.704.4055.0	WKFN 4 TKG/35	grau grey

Tolerierung nach DIN 7167/Tolerance system acc. to DIN 7167. (This DIN-standard describes the envelope principle. According to the envelope principle the deviations of form and parallelism are limited by the size tolerances).				ja/yes <input checked="" type="checkbox"/> Stoffverbots- und Deklarationsliste nach UU-TQM-05/03 ist einzuhalten. Conformity with Wieland document UU-TQM-05/03 (list of prohibited / declarable hazardous substances) to be declared!					
Freitoleranz nach General tolerance		DIN ISO 2768 - m		CAD - Zeichnung, keine manuellen Änderungen CAD - drawing, no manual modifications allowed		1. Verwendung: First Use:		Blatt: 1 von 1 Sheet: of 1	
		Werkstoff/Material		2007 Tag/Date		Name		Zeichnung Nr./Drawing No.	
		Maßstab/Scale		gezeichnet drawn		27.06.		Bauer F.	
		2:1		geprüft checked				56.704.4055.0 01K a	
		Vol.		mm <sup>3</sup> Ofl./Surf.		mm <sup>2</sup>		Ersatz für/Replacement for: -	
		a		29.07.2011/		Type		Benennung/Tittle	
Index		Datum / Blatt Date / Sheet		Änderung/Revision		wieland		TRENNGRUNDKLEMME	
						Elektrische Verbindungen		fasis pro Federkraftausführung 4mm <sup>2</sup> knife disconnect terminal	

These dimensions will be especially checked at delivery  
Only inspection dimensions  
With /E marked dimensions are only valid for internal use

Diese Maße werden bei Abnahme besonders geprüft  
Ausschließlich Prüfmaße  
Mit /E gekennzeichnete Maße sind nur für interne Zwecke gültig

Weitergabe sowie Vervielfältigung dieses Dokuments, Verwertung und Mitteilung seines Inhalts sind verboten, soweit nicht ausdrücklich gestattet.  
The reproduction, distribution and utilization of this document as well as the communication of its contents to others without express authorization is prohibited.

567044055001K\_2 CADW2010\_Morgen 2011-08-09T08:42:39 1.000 QU-PEM-08/91