

B6 Bulkhead mounted h., IP65

Single locking lever m., p-cover

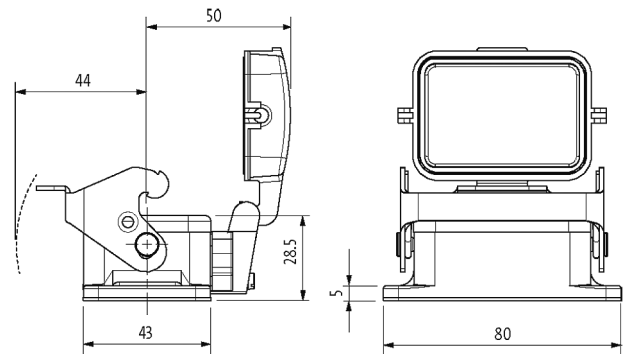
B6

Bulkhead mounted housing

Single locking lever

IP65

Technical data will be only guaranteed with Murrelektronik components.

[Link to Product](#)**Illustration**

Product may differ from Image

General data

Housing type	Bulkhead mounted housing
Size	B6
Protective cover	Plastic
Dimensions H×W×D	28.5×43×80 mm
Material (housing)	Aluminum die-cast
Material (housing surface)	powder-coated
Locking material	Steel (galvanized)
Material (gasket)	NBR
Climatic category	40/100/21 (EN 60068-1)
Temperature range	-40...+100 °C

Technical Data

Locking of ports	Single locking lever
Protection (housing)	IP65 inserted and tightened (EN 60529)

The information in this brochure has been compiled with the utmost care.
Liability for the correctness completeness and topicality of the information is restricted to gross negligence. Version: 04/21

Protection (protection cover)	IP65
Mating cycles	min. 500
Commercial data	
country of origin	CZ
customs tariff number	85389099
EAN	4048879644051
eClass	27143424
Packaging unit	1