

ECO-RAIL POWER SUPPLY 1-PHASE,

IN: 90-264VAC OUT: 24V/2,5ADC

INPUT: 90...264 V AC

OUTPUT: 24 V DC

Current: 2.5 A

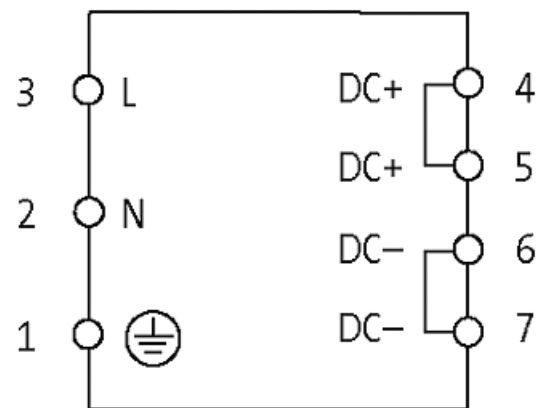
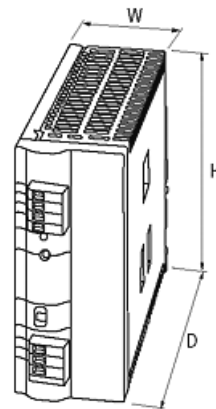
[Link to Product](#)**Illustration**

Product may differ from Image

Commercial data

country of origin	CN
customs tariff number	85044082
EAN	4048879080170
eClass	27049002
Packaging unit	1

Sketch



Product may differ from Image