

ECO-RAIL POWER SUPPLY 1-PHASE,

IN: 90-264VAC OUT: 24V/1,3ADC

INPUT: 100...240 V AC
 OUTPUT: 24 V DC \pm 1%
 Current: 1.3 A

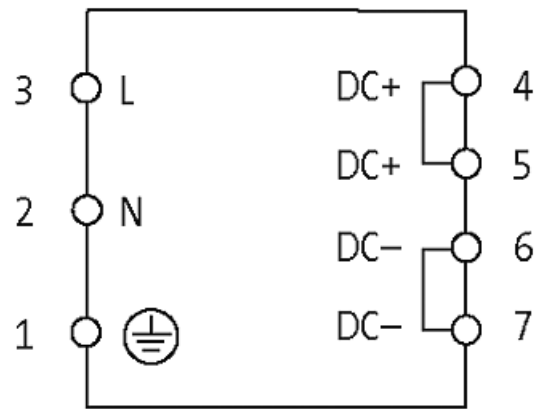
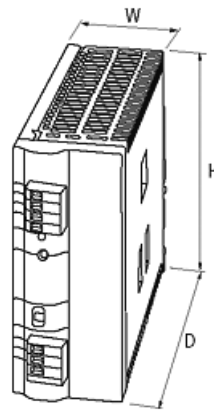
[Link to Product](#)**Illustration**

Product may differ from Image

Commercial data

country of origin	CN
customs tariff number	85044082
EAN	4048879080187
eClass	27049002
Packaging unit	1

Sketch



Product may differ from Image