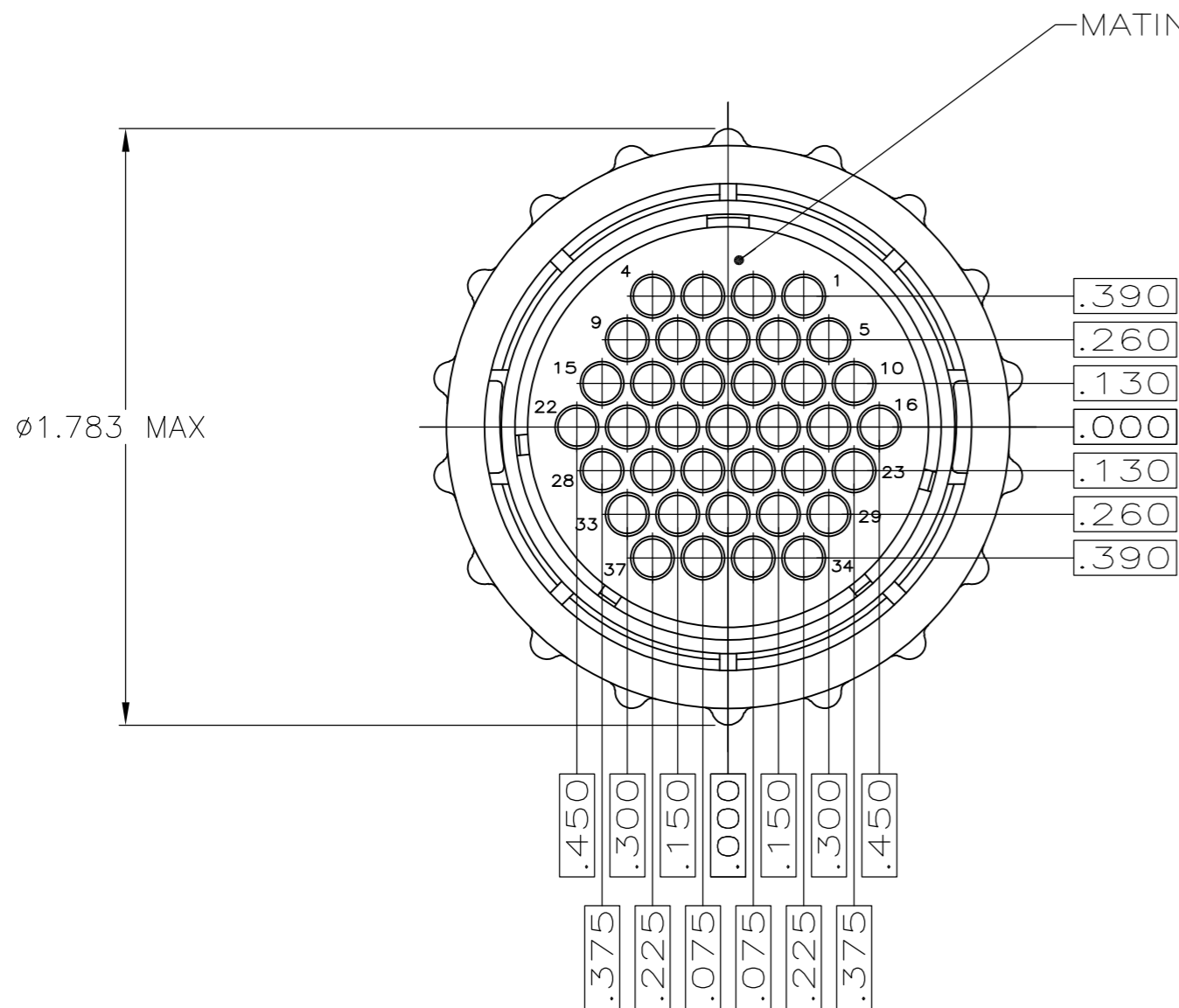
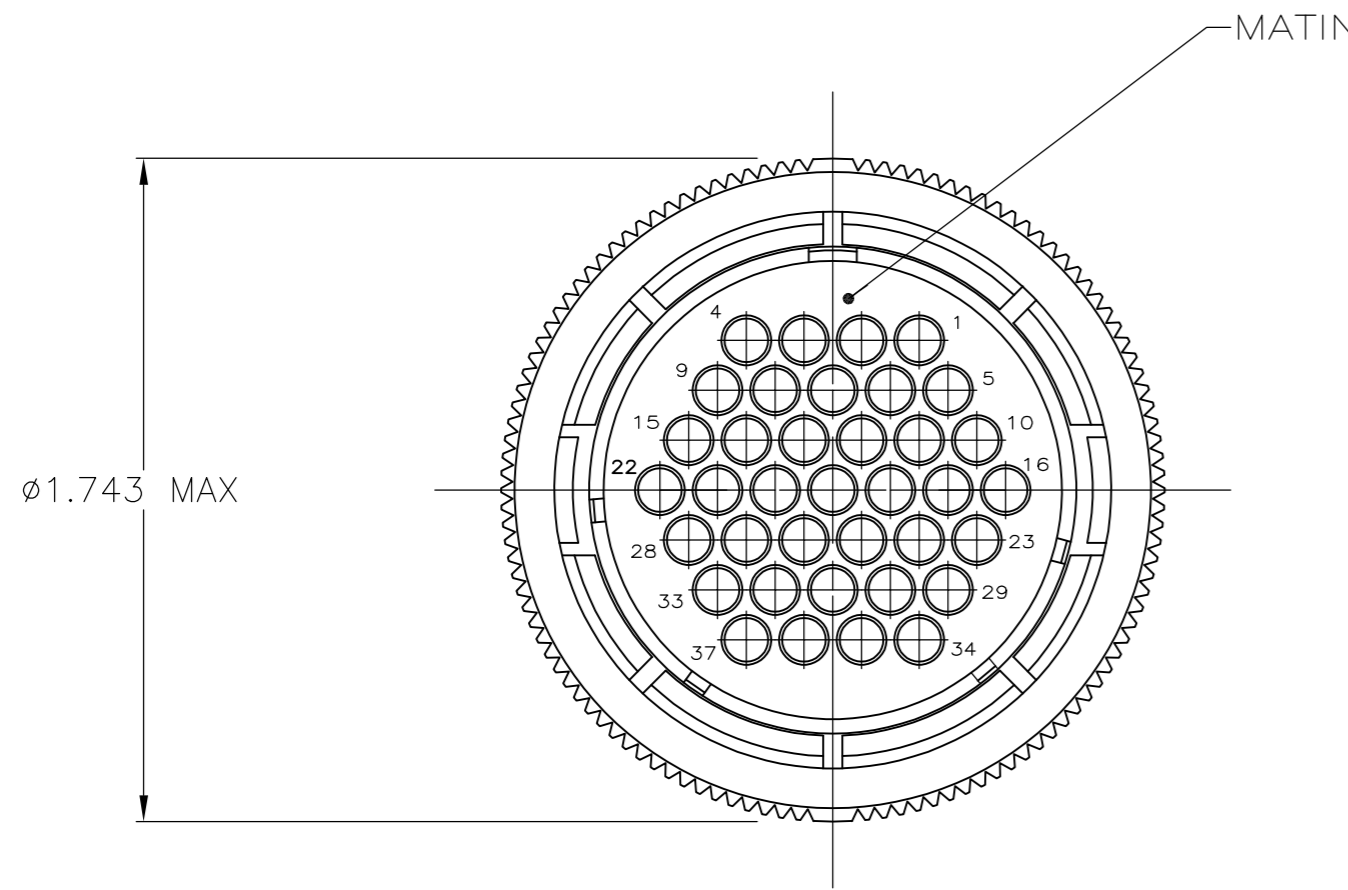
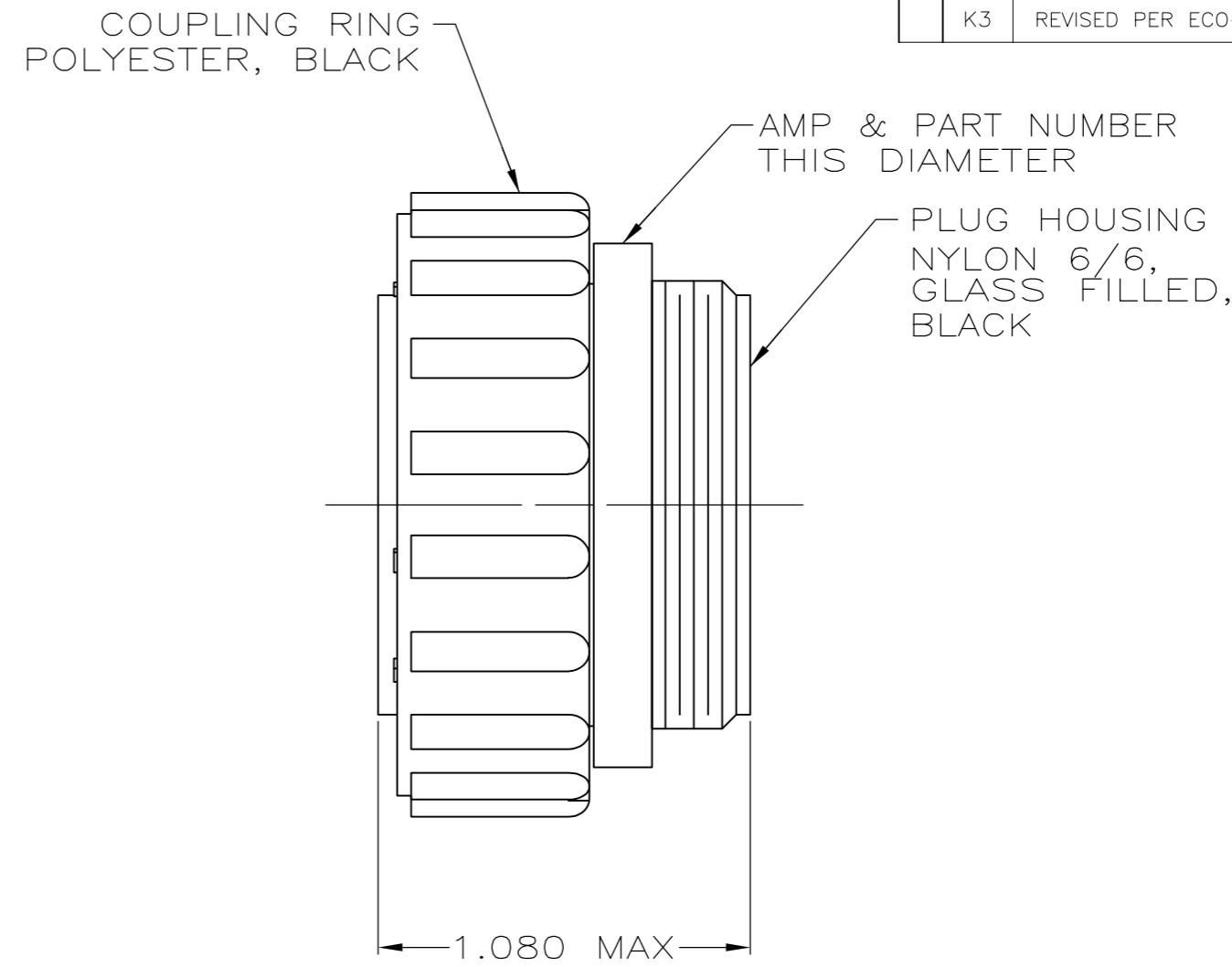


THIS DRAWING IS UNPUBLISHED. RELEASED FOR PUBLICATION
 © COPYRIGHT - By - ALL RIGHTS RESERVED.

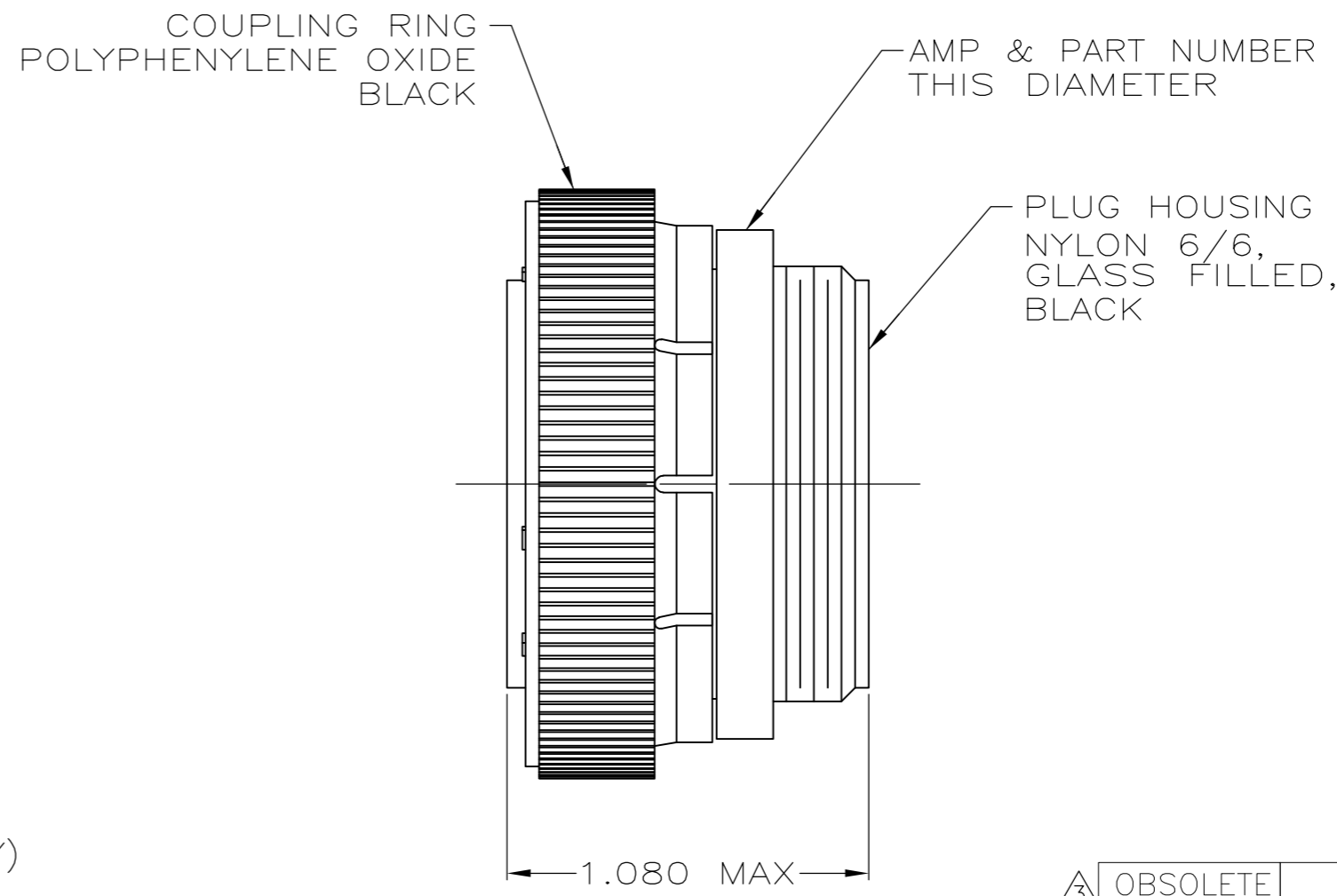
| REVISIONS | | | | | |
|-----------|-----|---------------------------|-----------|-----|------|
| P | LTR | DESCRIPTION | DATE | DWN | APVD |
| K3 | | REVISED PER ECO-16-004800 | 12SEP2016 | NK | MZ |



(206150-1, -2 & -6 ONLY)



(206150-3 ONLY)



- 1 CONTACT CAVITIES IDENTIFIED BY CHARACTERS ON FRONT AND REAR FACES OF CONNECTOR.
- 2 THIS CONNECTOR WILL ACCEPT (37) MULTIMATE SOCKET CONTACTS.
- 3 WHITE DOT NEAR POSITION 1 ON WIRE ENTRY FACE.

| | | |
|-----------|-------------|------------|
| OBSOLETE | STANDARD | -206150-6- |
| | STANDARD | 206150-3 |
| | SMALL PACK | 206150-2 |
| | STANDARD | 206150-1 |
| PACKAGING | PART NUMBER | |

| | | | | |
|--|--|----------------------------|--|--------------------|
| THIS DRAWING IS A CONTROLLED DOCUMENT. | | DWN S.RIDGLEY BG 8/2/90 | | |
| DIMENSIONS: INCHES | | CHK R.STONE 4-26-91 | | |
| TOLERANCES UNLESS OTHERWISE SPECIFIED: | | APVD - | NAME | |
| 0 PLC ± - | | PRODUCT SPEC - | PLUG ASSEMBLY, SHELL SIZE 23, STANDARD SEX, SERIES 1, CPC | |
| 1 PLC ± - | | APPLICATION SPEC - | - | |
| 2 PLC ± - | | WEIGHT 0 | SIZE A2 | CAGE CODE 00779 |
| 3 PLC ± - | | MATERIAL SEE CALLOUT | DRAWING NO C=206150 | |
| 4 PLC ± - | | | RESTRICTED TO - | |
| ANGLES ± - | | CUSTOMER DRAWING | | SCALE 2:1 |
| FINISH - | | SHEET 1 of 1 | | REV K3 |