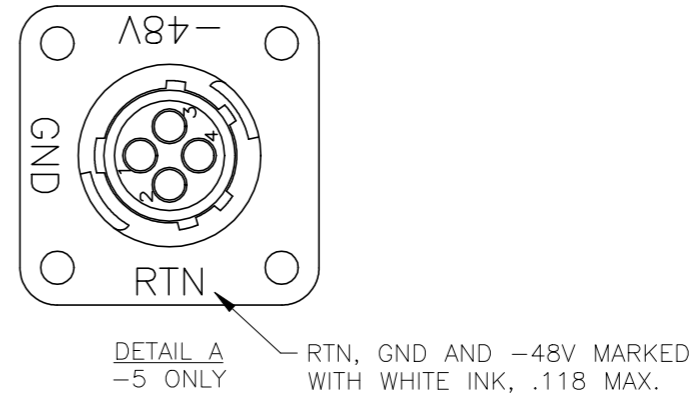
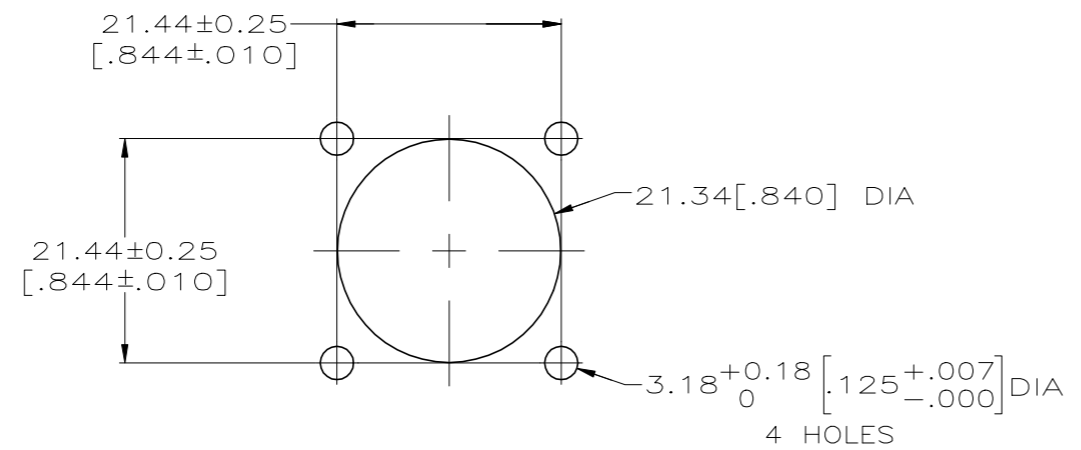
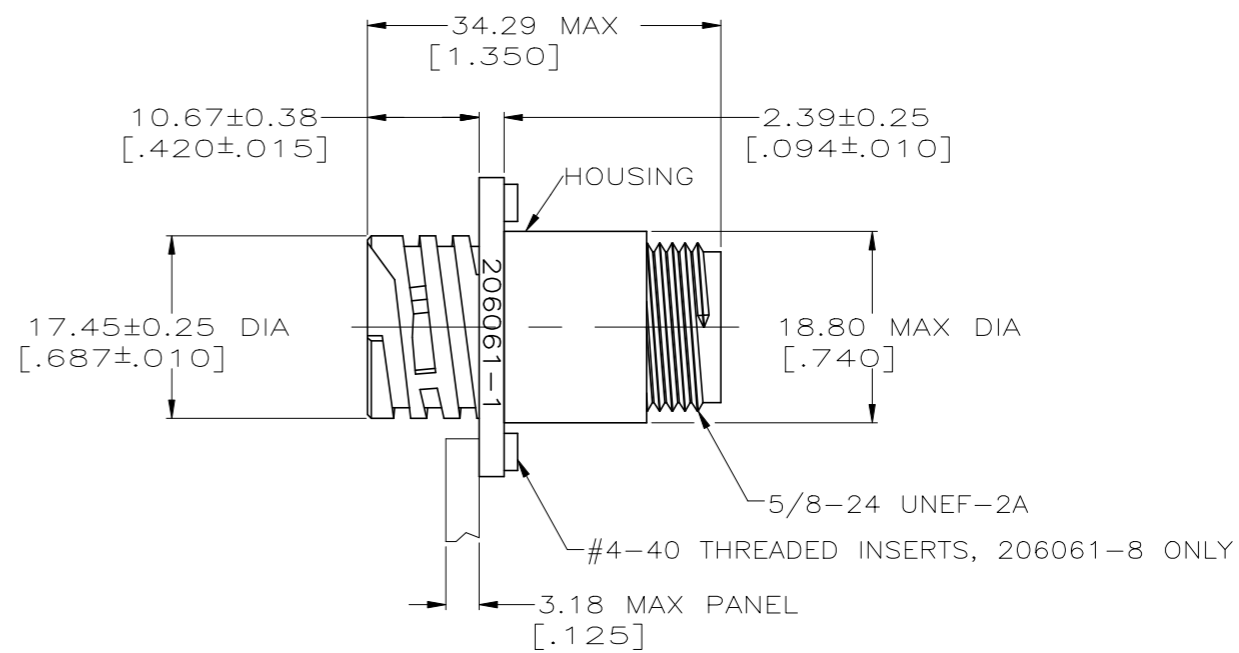
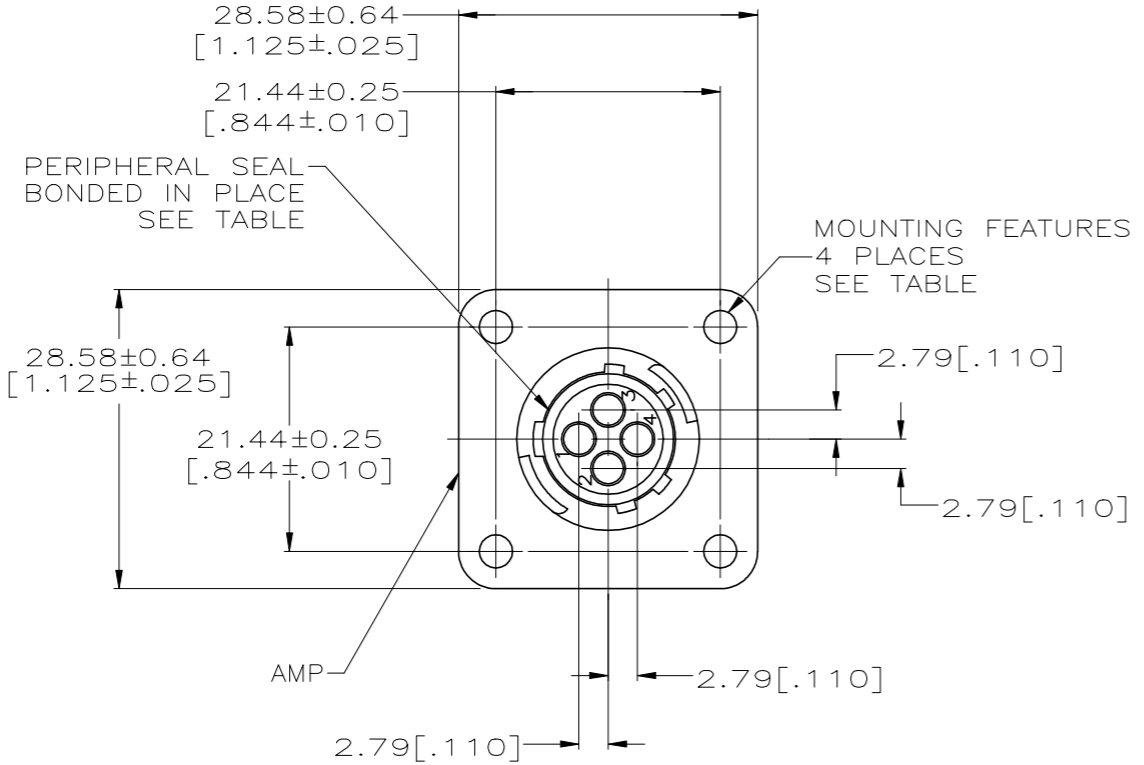


THIS DRAWING IS UNPUBLISHED. RELEASED FOR PUBLICATION. ALL RIGHTS RESERVED.

REVISIONS				
P	LTR	DESCRIPTION	DATE	APVD
F1		REVISED PER ECO-11-004587	11MAR11	RK HMR
G		REVISED PER ECO-17-000037	10MAR2017	RS MZ
H		REVISED PER ECO-19-014836	21OCT2019	RS MZ



RECOMMENDED PANEL CUTOUT

#4-40 THREADED INSERT	-	STANDARD	NO	206061-8
OBSOLETE	Ø 3.18 (.125) HOLES	DETAIL A	NO	206061-5
			NO	206061-3
	Ø 3.18 (.125) HOLES		YES	206061-2
			NO	206061-1
MOUNTING FEATURES	MARKING	PACKAGING	PERIPHERAL SEAL	PART NO.

NOTES:

1. CAVITY IDENTIFICATION ON FRONT AND REAR FACE.
 2. WILL ACCEPT FOUR (4) MULTIMATE PIN CONTACTS.
- 3 MATERIALS:
 HOUSING: PA66, BLACK
 PERIPHERAL SEAL: NITRILE BUTADIENE RUBBER, BLACK
 THREADED INSERT: BRASS

THIS DRAWING IS A CONTROLLED DOCUMENT.

DIMENSIONS: INCHES	TOLERANCES UNLESS OTHERWISE SPECIFIED:	DWN: D.GELTZ 07/26/93	TE Connectivity
	0 PLC ± - 1 PLC ± - 2 PLC ± 0.13 [.005] 3 PLC ± - 4 PLC ± - ANGLES ± -	CHK: R.STONE 08/11/93	
MATERIAL: 3	FINISH: -	APVD: -	NAME: -
		PRODUCT SPEC: 108-10024	RECEPTACLE HOUSING, STANDARD SEX, SHELL SIZE 11, CPC
		APPLICATION SPEC: -	SIZE: A2 CAGE CODE: 00779 DRAWING NO: C=206061 RESTRICTED TO: -
		WEIGHT: -	SCALE: 2:1 SHEET: 1 of 1 REV: H

CUSTOMER DRAWING

Mouser Electronics

Authorized Distributor

Click to View Pricing, Inventory, Delivery & Lifecycle Information:

[TE Connectivity:](#)

[206061-1](#)