

Data sheet

Commercial Art.No.: Z1.298.1053.0

Fuse disconnect lever THSI 5X20

Fuse disconnect lever to stick on disconnect block type WKFN 4 TKG/35, for fuse 5x20 mm, Color: grey



Commercial Art.No.	Z1.298.1053.0
EAN	4015573710832
Order Unit	10

Certificates / Approvals



Technical data

General

Color	Grey
Width/grid dimension	6 mm
Insulating housing	PA666
Inflammability class of insulation material acc. with UL94	V0
Mounting method	Direct mounting
Fuse insert	G-fuse 5x20 mm

Technical data

Rated voltage	250 V
Pollution degree	3
Closing plate required	No
Type of insulation material	Thermoplastic
Length	45.2 mm

Note

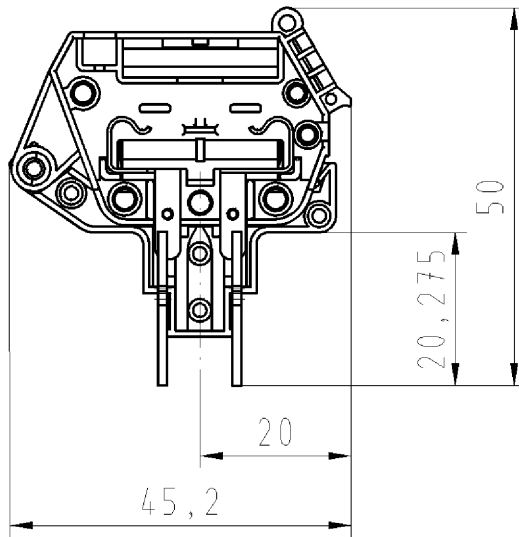
Remark to rated voltage	Note fuse insert
Remark to rated current	Note fuse insert

Classification

ECLASS 11	
ECLASS 8.1	27141116
ETIM 7.0	EC000899

ETIM 6.0	EC000899
ETIM 5.0	EC000899
ETIM 4.0	EC000899
ETIM 3.0	EC000899

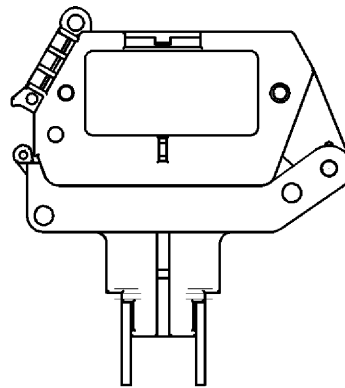
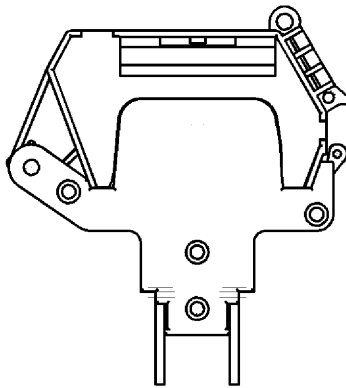
Baubreite/width 6 mm



Do not disconnect under load.
Ne debracher pas sous charge.

Weitere Daten siehe Katalog
further data see catalog

Vorderansicht/front view M1:1 Rückseite/rear view M1:1



Zulässige Abweichungen nach DIN 7167/Permissible deviations acc. to DIN 7167.
(This DIN-standard describes the envelope principle. According to the envelope principle the deviations of form and parallelism are limited by the size tolerances).

ja/yes Stoffverbots- und Deklarationsliste nach UU-TQM-05/03 ist einzuhalten.
Conformity with Wieland document UU-TQM-05/03 (list of prohibited / declarable hazardous substances) to be declared!

Freitoleranz nach -
General tolerance

CAD - Zeichnung, keine manuellen Änderungen
CAD - drawing, no manual modifications allowed

1.Verwendung: -
First Use:

Blatt: 1 von 1
Sheet: 1 of 1

	/		Werkstoff/Material	2006	Tag/Date	Name	Zeichnung Nr./Drawing No.	Index
	/			gezeichnet drawn	12.12.	Schmitt J.	Z1.298.1053.0 01K	
	/	Maßstab/Scale		geprüft checked	-	-		
	/	1:1		Normgepr. Stand. check	-	-		
	/	Vol.	mm ³ Offl./Surf.	mm ²	Ersatz für/Replacement for: -			Maße in mm/Dimensions are in mm
	/		wieland	Type	Benennung/Tittle			
	/			THS1/ 5x20	FUSE DISCONNECT LEVER SI_TRENNHEBEL			
Index	Datum / Blatt Date / Sheet		Elektrische Verbindungen	f. Feinsicherung 5x20 max. 6,3 A for fuse 5x20 max. 6,3 A				
Änderung/Revision								

Weitergabe sowie Vervielfältigung dieses Dokuments, Verwertung und Mitteilung seines Inhalts sind verboten, soweit nicht ausdrücklich gestattet. Die Reproduktion, Distribution und Utilization of this document as well as the communication of its contents to others without express authorization is prohibited.

Z12981053001K_4 CADW1042 Schmitt 2006-12-15 10:08:42:19 1.000