

## Data sheet

Commercial Art.No.: Z1.298.1353.0

Fuse disconnect lever THSI 5X20 GL 250

Fuse disconnect lever for diconnect terminal blocks selos / fasis / taris



|                    |               |
|--------------------|---------------|
| Commercial Art.No. | Z1.298.1353.0 |
| EAN                | 4015573710863 |
| Order Unit         | 10            |

Certificates / Approvals



## Technical data

### General

|  |                 |
|--|-----------------|
| Color  | Grey            |
| Width/grid dimension                                       | 6 mm            |
| Insulating housing   | PA666           |
| Inflammability class of insulation material acc. with UL94 | V0              |
| Mounting method  | Direct mounting |
| Fuse insert  | G-fuse 5x20 mm  |

### Technical data

|                             |               |
|-----------------------------|---------------|
| Rated voltage               | 250 V         |
| Closing plate required      | No            |
| Type of insulation material | Thermoplastic |
| Length                      | 45.2 mm       |

### Note

|  |                  |
|--|------------------|
| Remark to rated voltage                        | Note fuse insert |
| Remark to rated current                        | Note fuse insert |
| Defect indicator                               | Glow lamp        |
| Voltage type for defect indication             | AC/DC            |
| Minimum operating voltage of defective display | 110 V            |
| Maximum operating voltage of defective display | 250 V            |

### Classification

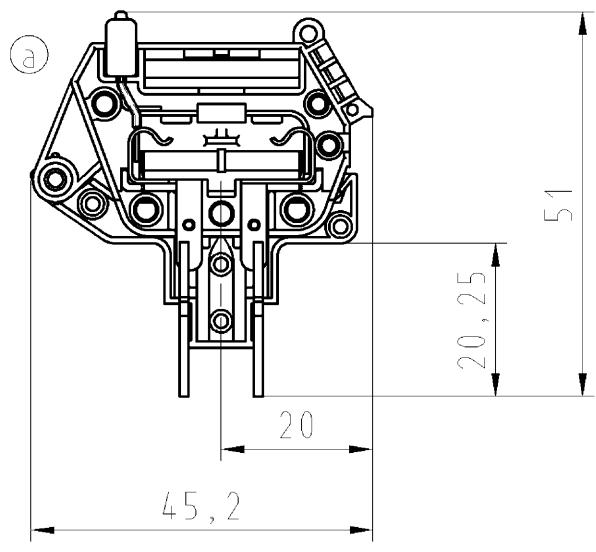
|           |  |
|-----------|--|
| ECLASS 11 |  |
|-----------|--|

|            |          |
|------------|----------|
| ECLASS 8.1 | 27141116 |
| ETIM 7.0   | EC000899 |
| ETIM 6.0   | EC000899 |
| ETIM 5.0   | EC000899 |
| ETIM 4.0   | EC000899 |
| ETIM 3.0   | EC000899 |

These dimensions will be especially checked at delivery  
 Only inspection dimensions  
 With /E marked dimensions are only valid for internal use

Diese Maße werden bei Abnahme besonders geprüft  
 Ausschließlich Prüfmaße  
 Mit /E gekennzeichnete Maße sind nur für interne Zwecke gültig

Baubreite/width 6 mm

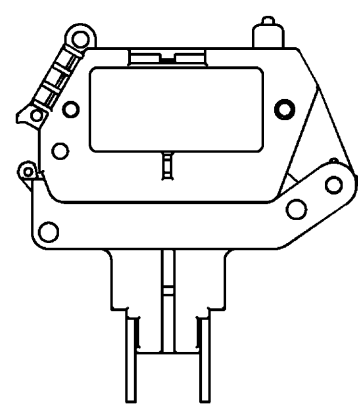
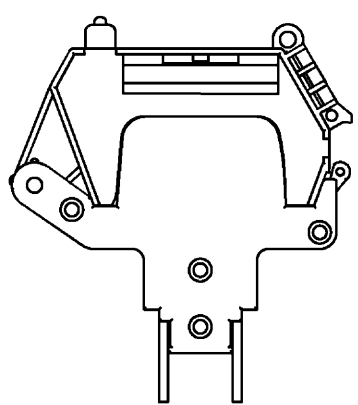


Do not disconnect under load.  
 Ne debracher pas sous charge.

Weitere Daten siehe Katalog  
 further data see catalog

Vorderansicht/front view M1:1

Rückseite/rear view M1:1



Zulässige Abweichungen nach DIN 7167/Permissible deviations acc. to DIN 7167. (This DIN-standard describes the envelope principle. According to the envelope principle the deviations of form and parallelism are limited by the size tolerances). ja/yes  Stoffverbots- und Deklarationsliste nach UU-TQM-05/03 ist einzuhalten. Conformity with Wieland document UU-TQM-05/03 (list of prohibited / declarable hazardous substances) to be declared!

Freitoleranz nach - CAD - Zeichnung, keine manuellen Änderungen I.Verwendung: - Blatt: 1 von 1  
 General tolerance CAD - drawing, no manual modifications allowed First Use: Sheet: 1 of 1

|  |   |               |                    |                           |          |                               |                                 |       |
|--|---|---------------|--------------------|---------------------------|----------|-------------------------------|---------------------------------|-------|
|  | / |               | Werkstoff/Material | 2006                      | Tag/Date | Name                          | Zeichnung Nr./Drawing No.       | Index |
|  | / |               |                    | gezeichnet<br>drawn       | 12.12.   | Schmitt J.                    |                                 |       |
|  | / |               |                    | geprüft<br>checked        | -        | -                             |                                 |       |
|  | / |               |                    | Normgepr.<br>Stand. check | -        | -                             |                                 |       |
|  | / | Maßstab/Scale |                    |                           |          |                               | Z1.298.1353.0 01K               | a     |
|  | / | 1:1           |                    |                           |          |                               | Maße in mm/Dimensions are in mm |       |
|  | / | Vol.          | mm³                | Ofi./Surf.                | mm²      | Ersatz für/Replacement for: - |                                 |       |

|                   |                               |  |                             |                     |   |                                     |
|-------------------|-------------------------------|--|-----------------------------|---------------------|---|-------------------------------------|
|                   | /                             |  | wieland                     | Type                | Benennung/Tittle                            |                                     |
| a                 | 19.01.2011/                   |  |                             |                     | FUSE DISCONNECT LEVER GL                    | SI_TRENNHEBEL_GL                    |
| Index             | Datum / Blatt<br>Date / Sheet |  |                             |                     | f. Feinsicherung 5x20 max. 6,3 A / GL 250 V | for fuse 5x20 max. 6,3 A / GL 250 V |
| Änderung/Revision |                               |  | Elektrische<br>Verbindungen | THSI 5x20<br>GL 250 |   |                                     |

Weitergabe sowie Vervielfältigung dieses Dokuments, Verwertung und Mitteilung seines Inhalts sind verboten, soweit nicht ausdrücklich gestattet. The reproduction, distribution and utilization of this document as well as the communication of its contents to others without express authorization is prohibited.

Z1\_298\_1353\_0\_01K\_11-01-21\_10h37m04s\_2 CADW2036 treschan 2011-01-21T10:34:14 1.000