

## Data sheet

Commercial Art.No.: Z1.298.1153.0

Fuse disconnect lever THSI 5X20 LED 24

Fuse disconnect lever to stick on disconnect block type WKFN 4 TKG/35, for fuse 5x20 mm, with LED 12-24 V, Color: grey



Commercial Art.No.	Z1.298.1153.0
EAN	4015573710849
Order Unit	10

Certificates / Approvals



## Technical data

### General

Color	Grey
Width/grid dimension	6 mm
Insulating housing	PA666
Inflammability class of insulation material acc. with UL94	V0
Mounting method	Direct mounting
Fuse insert	G-fuse 5x20 mm

### Technical data

Rated voltage	250 V
Closing plate required	No
Type of insulation material	Thermoplastic
Length	45.2 mm

### Note

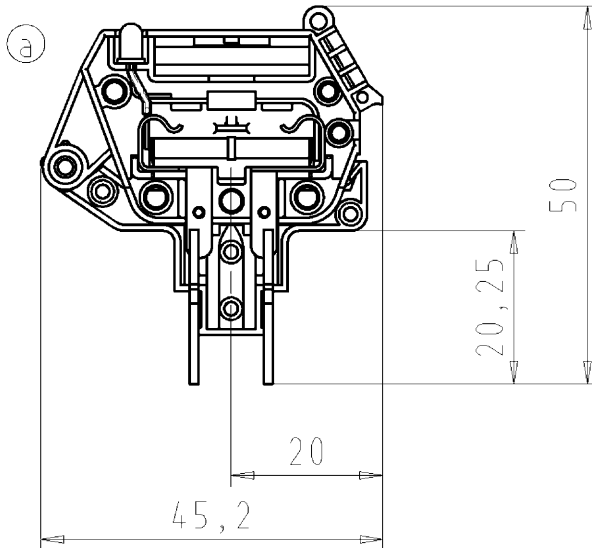
Remark to rated voltage	Note fuse insert
Remark to rated current	Note fuse insert
Defect indicator	LED
Voltage type for defect indication	AC/DC
Minimum operating voltage of defective display	12 V
Maximum operating voltage of defective display	24 V

### Classification

ECLASS 11	
-----------	--

ECLASS 8.1	27141116
ETIM 7.0	EC000899
ETIM 6.0	EC000899
ETIM 5.0	EC000899
ETIM 4.0	EC000899
ETIM 3.0	EC000899

Baubreite/width 6 mm

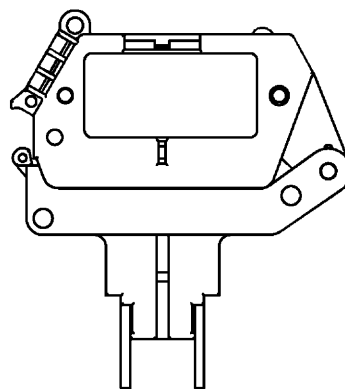
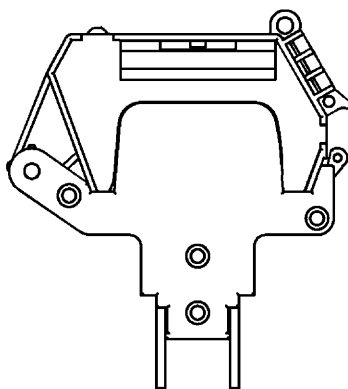


Do not disconnect under load.  
Ne debracher pas sous charge.

Weitere Daten siehe Katalog  
further data see catalog

Vorderansicht/front view M1:1

Rückseite/rear view M1:1



Teile - Nr. <i>part no.</i>	Farbe <i>colour</i>
Z1.298.1153.0	kieselgrau, ähnl. RAL 7032 <i>pebble grey, similar to RAL 7032</i>
Z1.298.1153.6	lichtblau, ähnl. RAL 5012 <i>light blue, similar to RAL 5012</i>

(b)

Zulässige Abweichungen nach DIN 7167/Permissible deviations acc. to DIN 7167.  
(This DIN-standard describes the envelope principle. According to the envelope principle the deviations of form and parallelism are limited by the size tolerances).

ja/yes  Stoffverbots- und Deklarationsliste nach UU-TQM-05/03 ist einzuhalten.  
Conformity with Wieland document UU-TQM-05/03 (list of prohibited / declarable hazardous substances) to be declared!

Freitoleranz nach General tolerance	CAD - Zeichnung, keine manuellen Änderungen CAD - drawing, no manual modifications allowed	I.Verwendung: First Use:	Blatt: 1 von 1 Sheet: of 1
--	---	-----------------------------	-------------------------------

	/	Werkstoff/Material	2006	Tag/Date	Name	Zeichnung Nr./Drawing No.	Index
	/		gezeichnet drawn	12.12.	Schmitt J.		
	/	Maßstab/Scale	geprüft checked	-	-	T	Z1.298.1153.0 01K b
	/		1:1	Normgepr. Stand., check	-		
	/	Maße in mm/Dimensions are in mm					

	/	Vol.	mm <sup>3</sup>	Dfl./Surf.	mm <sup>2</sup>	Ersatz für/Replacement for: -	
b	13.05.2011/		<b>wieland</b> Elektrische Verbindungen		Type	Benennung/Tittle	
a	19.01.2011/				THSI 5x20	FUSE DISCONNECT LEVER LED	
Index	Datum / Blatt Date / Sheet				LED 24	SI_TRENNHEBEL_LED	
Änderung/Revision				f. Feinsicherung 5x20 max. 6,3 A / LED 12-24 V for fuse 5x20 max. 6,3 A / LED 12-24 V			

Weitergabe sowie Vervielfältigung dieses Dokuments, Verwertung und Mitteilung seines Inhalts sind verboten, soweit nicht ausdrücklich gestattet. Die Reproduktion, Distribution und Utilization of this document as well as the communication of its contents to others without express authorization is prohibited.

Z12981153001K\_2 CADW2036\_treschan 2011-06-13 10:49:55 1.000