

LED DISPLAY – F4301AH [Emitted Color : Red]

1 Absolute Maximum Ratings

Item	Symbol	Maximum Data			Unit
Power Dissipation	Pd	57			mW
Peak Forward Current	Ifp	80			mA
Continuous Forward Current	Ifm	20			mA
Reverse Voltage	VR	5			V
Operating Temperature Range	Topr	-40~+80			°C
Storage Temperature Range	Tstg	-40~+85			°C
STATIC Voltage	Var	-----	-----	-----	V

2 Optical-Electrical Characteristic

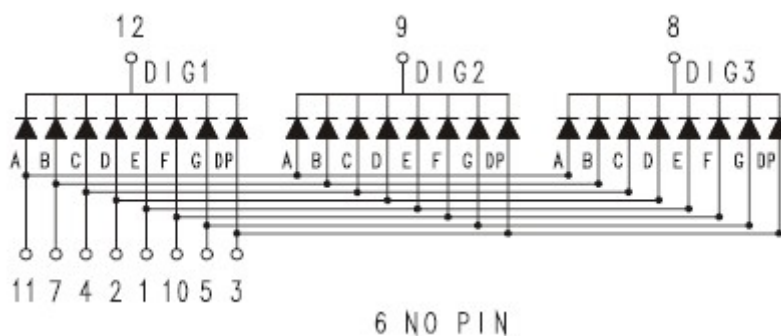
Parameter	Test Conditions	Symbols	Min	Type	Max	Unit
Luminous Intensity	If=20mA	IV	55	60	70	Mcd
Forward Voltage	If=20mA	VF	1.9	2.0	2.03	V
Reverse Current	VR=5V	IR	-	-	100	uA
Peak Wavelength	If=20mA	λ_p	620	621	623	nm
Spectral Bandwidth	If=20mA	$\Delta\lambda$	-	5		nm
View Angle	If=20mA	2 $\theta_{1/2}$	-	60		Deg

3 F4301AH Dimensions / Internal Circuit Diagram / Package

3.1 F4301AH Dimensions

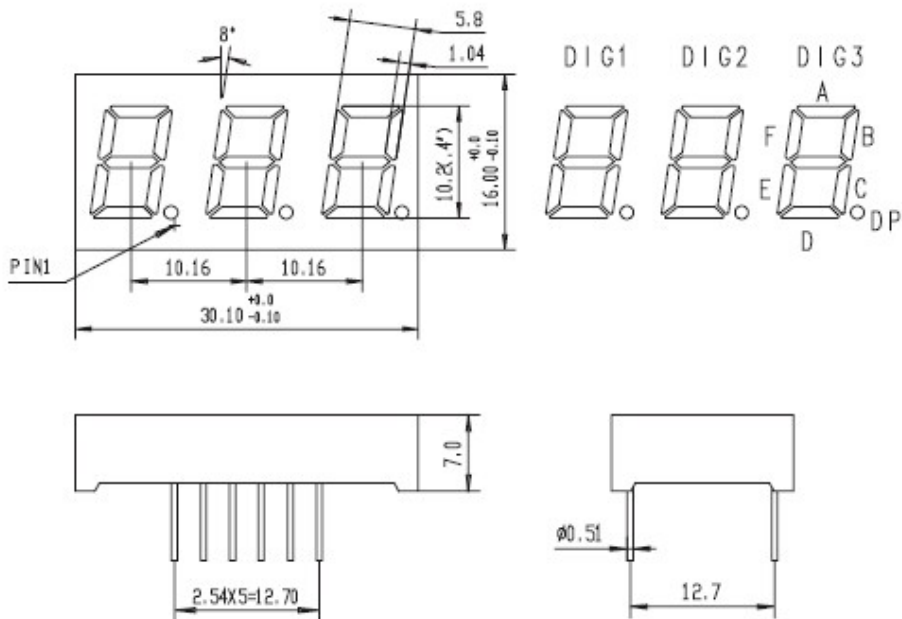
[30.1 mm (Length) / 16.0 mm (Width) / 7.0 mm (Thickness) / 2.54 mm (Lead Pitch)]

3.2 F4301AH Internal Circuit Diagram



LED DISPLAY – F4301AH [Emitted Color : Red]

3.3 F4301AH Package



4. Storage & Soldering Conditions) :

4.1 Store with care. Storing the units in bad conditions will cause the reflector sheet and decrease it's Adhesive power. Storage the products under the Conditjon:temperature ($25^\circ\text{C} \pm 10^\circ\text{C}$) and humidity($65^\circ\text{C} \pm 20^\circ\text{C}$ ORH) our recommendation.

4.2 The Soldering tempwrate is $260^\circ\text{C} \pm 5^\circ\text{C}$ and Soldering Time should be less than 3 sec, and soldering iron power should be less than 30W.

4.3 The soldering point should be farther than 1.6mm form body.