



**Features:**

- AC input range selectable by switch
- Protections: Short circuit/Overload/Over voltage
- Cooling by free air convection
- Can be installed on DIN rail TS-35/7.5 or 15
- Isolation Class II
- LED indicator for power on
- 100% full load burn-in test
- 3 years warranty

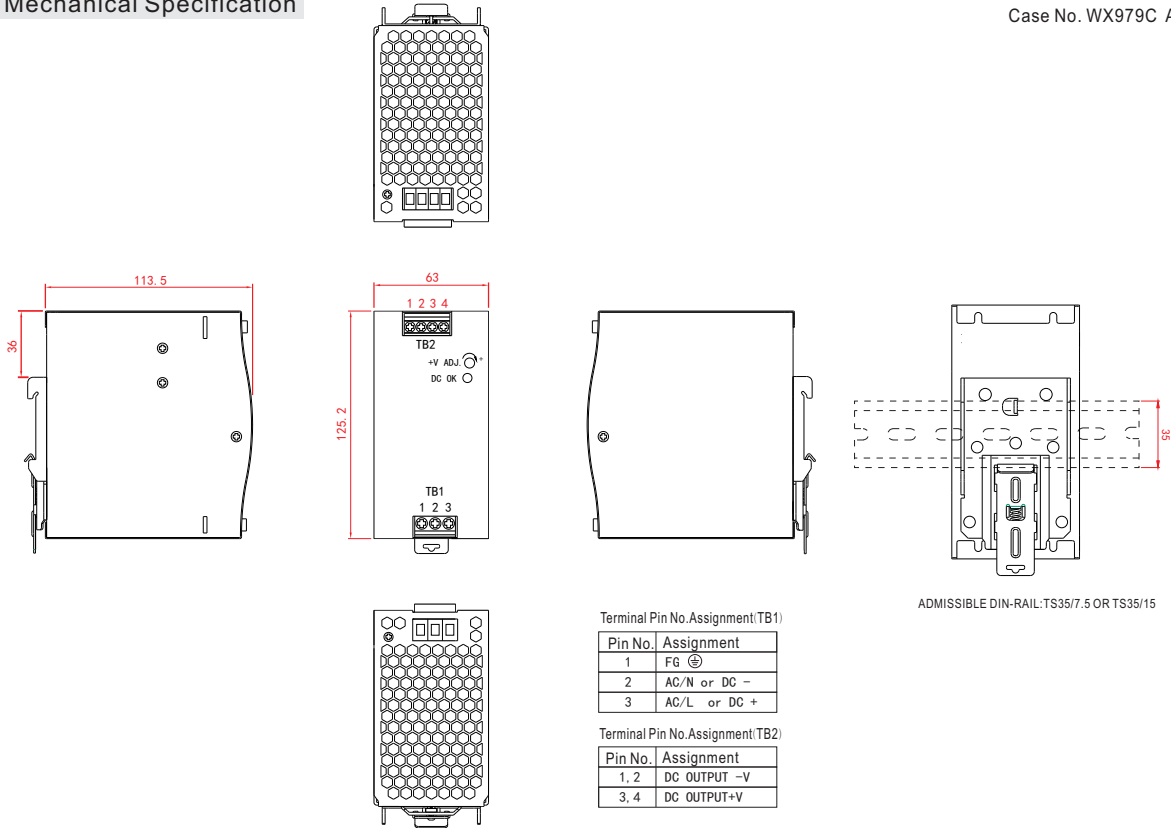
**SPECIFICATION**



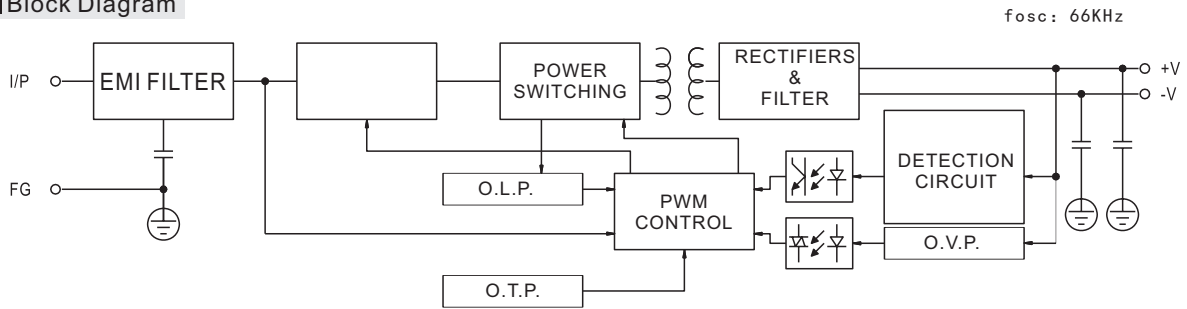
MODEL	NDR-240-24		NDR-240-48	
OUTPUT	DC VOLTAGE	24V		48V
	RATED CURRENT	10A		5A
	CURRENT RANGE	0~10A		0~5A
	RATED POWER	240W		240W
	RIPPLE & NOISE(max.) Note.2	150mVp-p		150mVp-p
	VOLTAGE ADJ. RANGE	24~28V		48~53A
	VOLTAGE TOLERANCE Note.3	±1.0%		±1.0%
	LINE REGULATION	±0.5%		±0.5%
	LOAD REGULATION	±1.0%		±1.0%
	SETUP,RISE TIME	1600ms, 100ms/220VAC 3000ms, 100ms/110VAC (at full load)		
HOLD UP TIME(Typ.)	28ms/220VAC 22ms/110VAC (at full load)			
INPUT	VOLTAGE RANGE	180~264VAC或254~370VDC		
	FREQUENCY RANGE	47~63Hz		
	EFFICIENCY(Typ.)	88%		89%
	AC CURRENT(Typ.)	2.5A/220VAC		
	INRUSH CURRENT(Typ.)	20A/115VAC 35A/230VAC		
LEAKAGE CURRENT	<1mA/230VAC			
PROTECTION	OVER LOAD	Above 105%~150% rated output power Protection type: Hiccup mode,recovers automatically after fault condition is removed		
	OVER VOLTAGE	30~33V		55~65V
	OVER TEMPERTTURE	Protection type: Hiccup mode,recovers automatically after fault condition is removed		
ENVIRONMENT	WORKING TEMP.	-20~+70°C (Refer to " Derating Curve" )		
	WORKING HUMIDITY	20~90%RH, non-condensing		
	STORAGE TEMP.,HUMIDITY	~20~+85°C, 10~95%RH		
	TEMP.COEFFICIENT	±0.03%/°C (0~50°C)		
SAFETY & EMC	VIBRATION	10~500Hz, 2G 10min/1cycle, period for 60min.X、Y、Zaxes		
	SAFETY STANDARDS	UL508,UL60950-1,TUV EN60950-1 Approved		
	WITHSTAND VOLTAGE	I/P-O/P: 3KVAC I/P-FG: 2KVAC O/P-FG: 0.5KVAC		
	ISOLATION RESISTANCE	I/P-O/P, I/P-FG, O/P-FG: 100M Ohms / 500VDC		
	EMC EMISSION	Compliance to EN55011, EN55022(CISPR22) Class B,EN61000-3-2,-3		
EMC IMMUNITY	Compliance to EN61000-4-2,3,4,5,6,8,11,EN55024,EN61000-6-2(EN50082-2),light industry level,criteria A			
OTHERS	MTBF	≥230K hrs. MIL-HDBK-217F (25°C)		
	DIMENSION	63*125.2*113.5mm (W*H*D)		
	PACKING	1Kg; 12pcs/13Kg/1.1CUFT		
NOTE	<p>1. All parameters NOT specially mentioned are measured at 230VAC input, rated load and 25°C of ambier temperature.</p> <p>2. Ripple &amp; noise are measured at 20MHz of bandwidth by using a 12" twisted pair-wire terminated with a 0.1uf &amp; 47uf parallel capacitor.</p> <p>3. Tolerance:includes set up tolerance,line regulation and load regulation.</p> <p>4. The power supply is considered a component which will be installed into a final equipment. The final equipment must be re-confirmed that it still meets</p>			

■ Mechanical Specification

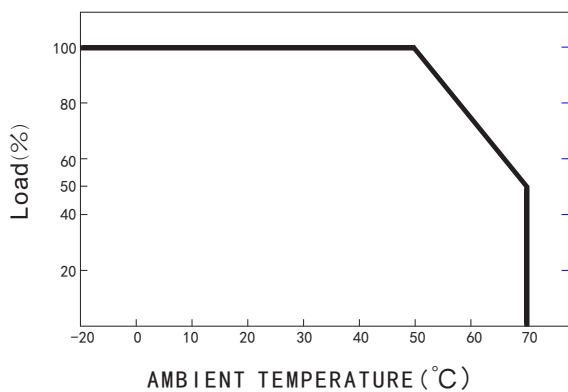
Case No. WX979C AUnit:mm



■ Block Diagram



■ Derating Curve



■ Static Characteristics

