

# High Current Terminal Blocks

9D  
SERIES



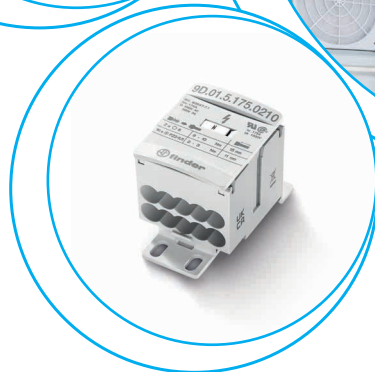
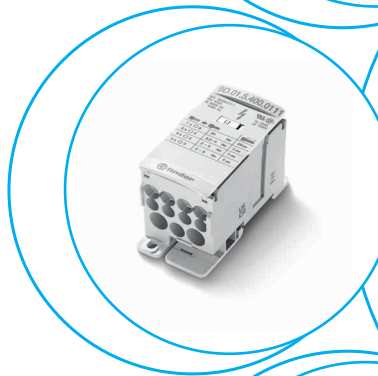
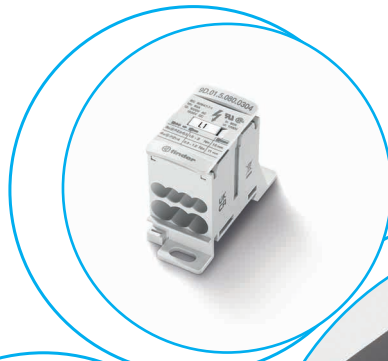
Panels for electrical distribution



Control panels



Cabinets junction boxes





**High current distribution terminal blocks for electrical panels**

**Type 9D.01.5.080.0304**  
- 80 A

**Type 9D.01.5.125.0206**  
- 125 A

**Type 9D.01.5.175.0210**  
- 175 A

**3 configurations available in a single product:**

- Single, pole splitter: Split of main power input into 4, 6, 10 or 11 outputs
- Multiple, pole splitters: Splitting with increased number of outputs
- Grouping: Combining several inputs to make a single output (eg. solar applications)
- Reversible snap-on cover
- Ratings, approvals and screw torque settings marked on cover
- Ready to use Marking Kit (L1, L2, L3, N, PE, +, -) supplied with every block
- Adjacent units may be mechanically interlocked, if required

For outline drawing see page 6

**Current specification**

Max current	A	80	125	175
Rated voltage	V AC/DC	1000/1500	1000/1500	1000/1500
Rated impulse voltage	kV	8	8	8
Short-time withstand current (I <sub>cw</sub> 1s)	A	1920	4200	6000
Short Circuit Current Rating (SCCR)	kA	100	100	100
Rated peak withstand current (I <sub>pk</sub> )	kA	27	30	30

**Input wire specification (Solid/Stranded)**

Number of input		3	2	2
Min. input wire	mm <sup>2</sup>	2.5	10	10
	AWG	14	8	6
Max. input wire	mm <sup>2</sup>	16	35	70
	AWG	6	2	2/0
Wire input stripping length	mm	15	15	15
Tool		Posidriv - flat screwdriver	Allen Key	Allen Key
Tool dimension	mm	5.5/PZ2	4	5
Torque	Nm	1.5...2	3.5...5	6...10

**Output wire specification (Solid/Stranded)**

Number of output		4	6	10
Min. output wire	mm <sup>2</sup>	2.5	2.5	2.5
	AWG	14	14	14
Max. output wire	mm <sup>2</sup>	6	16	16
	AWG	10	6	6
Wire output stripping length	mm	11	11	11
Tool		Posidriv - flat screwdriver	6x Posidriv - flat screwdriver 1x Allen Key	Posidriv - flat screwdriver
Tool dimension	mm	4/PZ1	6x 5.5 PZ2 1x 3	5.5/PZ2
Torque	Nm	0.8...12	2...3	2...3

**General data**

Ambient temperature	°C	-20...+70	-20...+70	-20...+70
Protection category	IEC	IP 20	IP 20	IP 10
Protection category	UL	NEMA 1	NEMA 1	NEMA 1

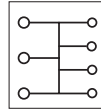
**Approvals** (according to type)



**NEW 9D.01.5.080.0304**



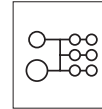
- 80 A
- 7 connections



**NEW 9D.01.5.125.0206**



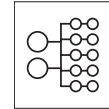
- 125 A
- 8 connections



**NEW 9D.01.5.175.0210**



- 175 A
- 12 connections



**High current distribution terminal blocks for electrical panels**

**Type 9D.01.5.250.0111**  
- 250 A

**Type 9D.01.5.400.0111**  
- 400 A

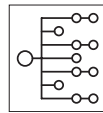
**3 configurations available in a single product:**

- Single, pole splitter: Split of main power input into 4, 6, 10 or 11 outputs
- Multiple, pole splitters: Splitting with increased number of outputs
- Grouping: Combining several inputs to make a single output (eg. solar applications)
- Reversible snap-on cover
- Ratings, approvals and screw torque settings marked on cover
- Ready to use Marking Kit (L1, L2, L3, N, PE, +, -) supplied with every block
- Adjacent units may be mechanically interlocked, if required

**NEW 9D.01.5.250.0111**



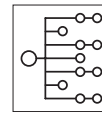
- 250 A
- 12 connections



**NEW 9D.01.5.400.0111**



- 400 A
- 12 connections



For outline drawing see page 6

**Current specification**

Max current	A	250	400
Rated voltage	V AC/DC	1000/1500	1000/1500
Rated impulse voltage	kV	8	8
Short-time withstand current (I <sub>cw</sub> 1s)	A	11400	18000
Short Circuit Current Rating (SCCR)	kA	100	100
Rated peak withstand current (I <sub>pk</sub> )	kA	51	51

**Input wire specification (Solid/Stranded)**

Number of input		1	1
Min. input wire	mm <sup>2</sup>	35	95
	AWG	2	3/0
Max. input wire	mm <sup>2</sup>	120	185
	AWG	250 Kcmil	400 Kcmil
Wire input stripping length	mm	28	28
Tool		Allen Key	Allen Key
Tool dimension	mm	6	8
Torque	Nm	19...21	25

**Output wire specification (Solid/Stranded)**

Number of output		11	11
Min. output wire	mm <sup>2</sup>	2.5	2.5
	AWG	14	14
Max. output wire	mm <sup>2</sup>	35	35
	AWG	2	2
Wire output stripping length	mm	11	11
Tool		Allen Key	Allen Key
Tool dimension	mm	2x 4	2x 4
		9x 3	9x 3
Torque	Nm	2x 3.5...5	2x 3.5...5
		9x 2...3	9x 2...3

**General data**

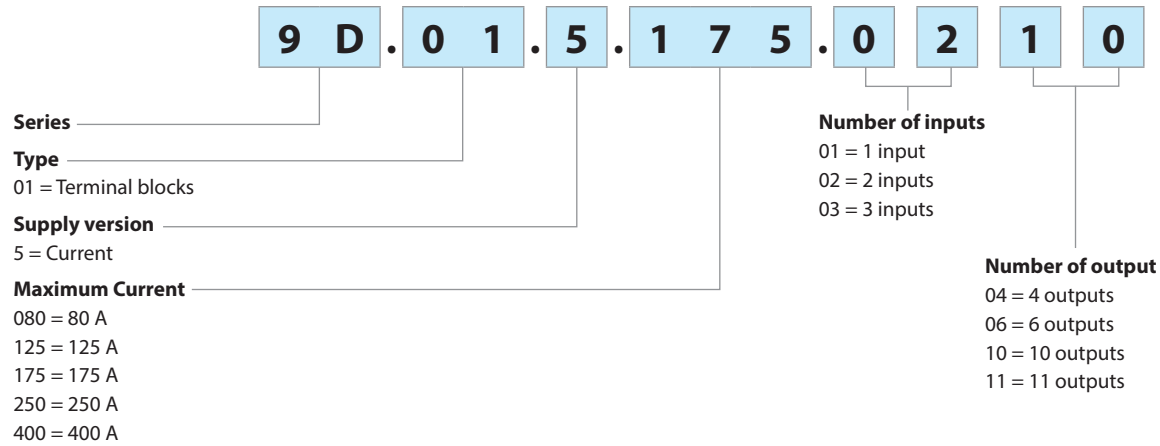
Ambient temperature	°C	-20...+70	-20...+70
Protection category	IEC	IP 10	IP 10
Protection category	UL	NEMA 1	NEMA 1

**Approvals (according to type)**



### Ordering information

Example: 9D Series, High current terminal block, nominal current 175 A, 12 connections.

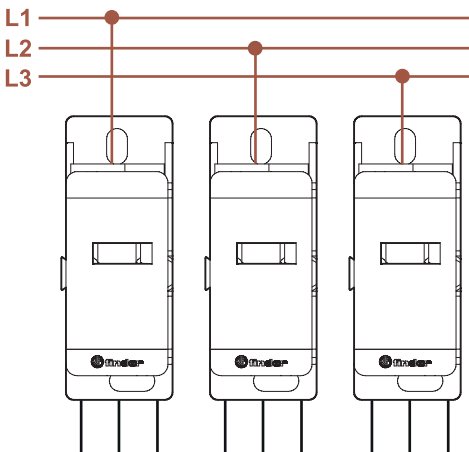


**All types**

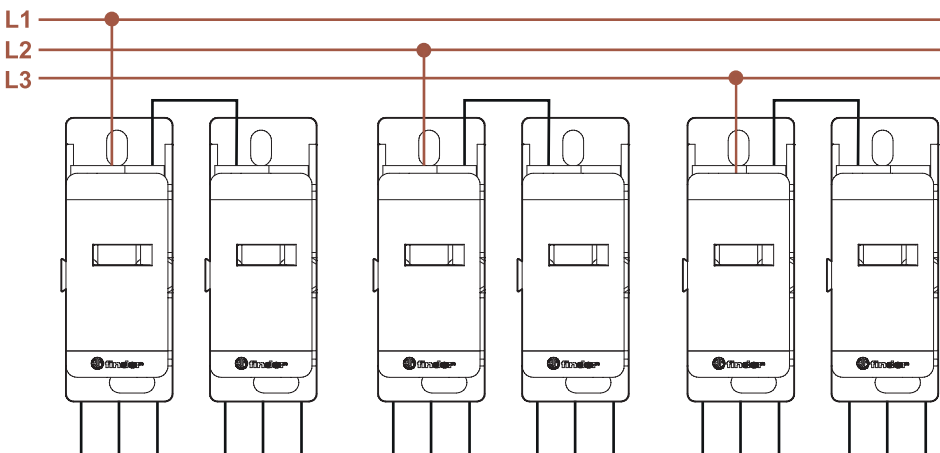
- 9D.01.5.080.0304
- 9D.01.5.125.0206
- 9D.01.5.175.0210
- 9D.01.5.250.0111
- 9D.01.5.400.0111

### Wiring examples\*

**Single, pole splitter application. Main power input splits into three outputs.**



**Multiple, pole splitter application: Main power input split into six outputs.**

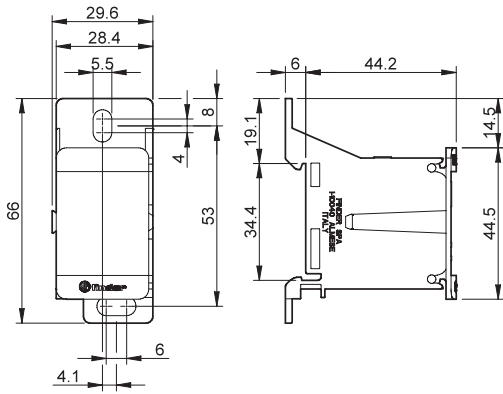


\* These are connection examples.

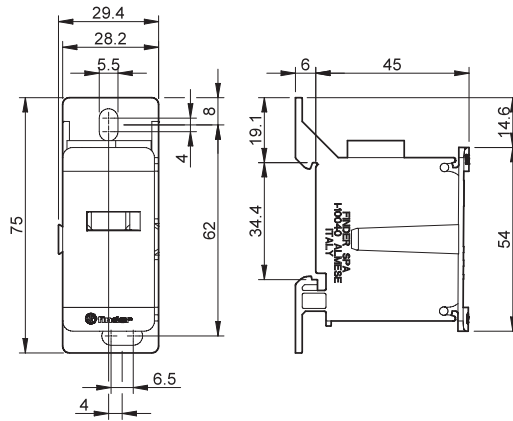
The current capacity of each conductor must comply with the appropriate IEC, UL or CSA standard.

Outline drawings

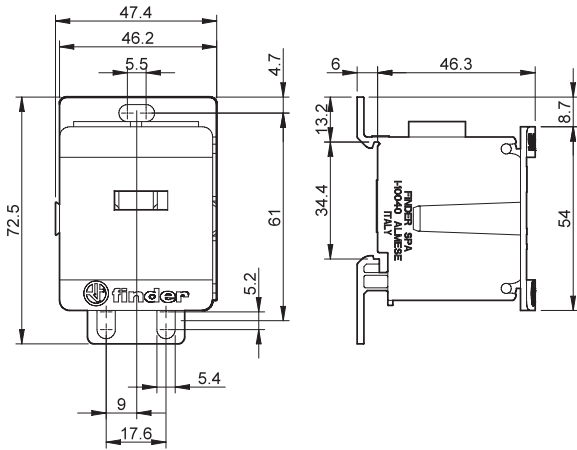
Type 9D.01.5.080.0304



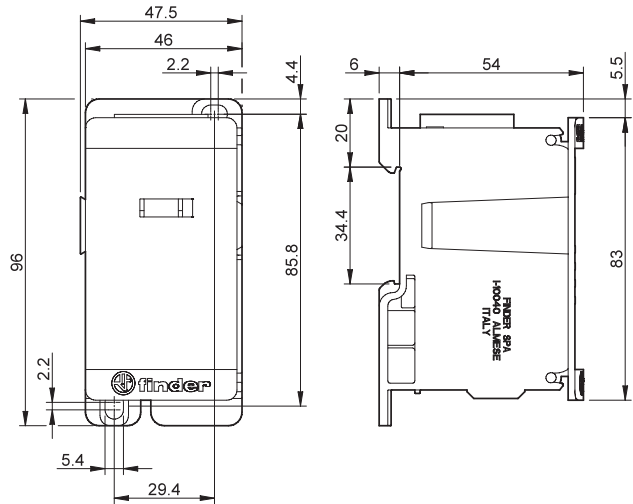
Type 9D.01.5.125.0206



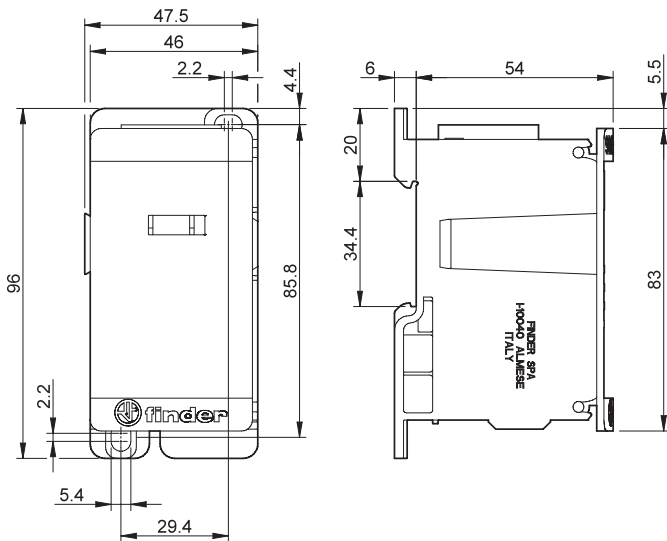
Type 9D.01.5.175.0210



Type 9D.01.5.250.0111



Type 9D.01.5.400.0111



G